

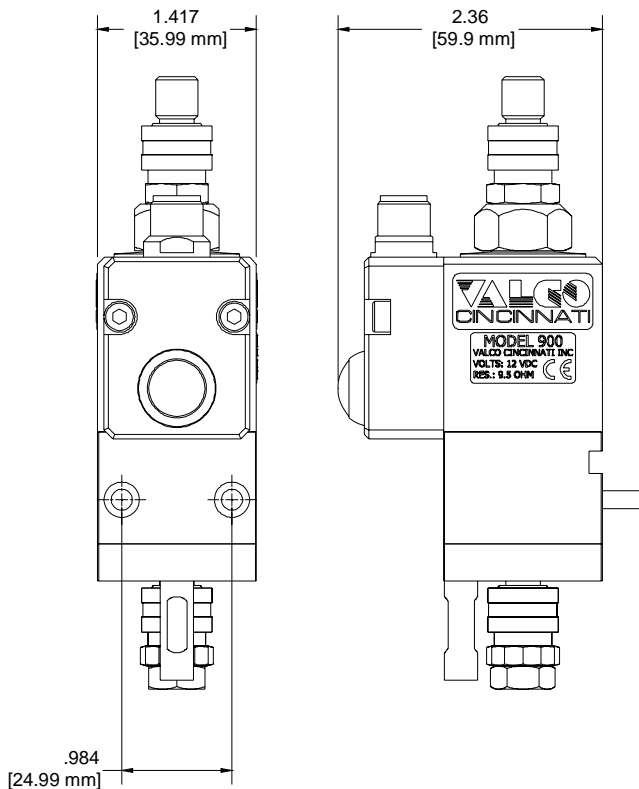
900 Series Valve Features

- All electric operation, no compressed air required
- High-flow capabilities for direct-contact extrusion applications
- No dynamic seals for enhanced service life, even under high-cycle rate conditions
- Ceramic seat and carbide-tipped plunger assembly
- Hardened tool-steel, Titanium-coated applicator heads are available in various pattern widths and feature quick-disconnect for fast changeover
- Compatible with high-viscosity adhesives for consistent, accurate glue patterns at high machine speeds

900 Series, Solenoid-operated Glue Valve

704xx874	900 solenoid-operated glue valve, Viton
707xx218	900 ECT non-contact, solenoid-operated glue valve, Viton
707xx640	900 solenoid-operated glue valve, EP
707xx641	900 ECT non-contact, solenoid-operated glue valve, EP

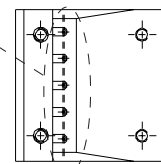
(Applicator heads sold separately.)



Applicator Head Options

- 661xx002 Applicator head, 1/4 in. (6.35mm) pattern width, two 0.040 veins on 1/4 in. (6.35mm) centers, includes 1 pattern shim
- 661xx102 Same as above, 1.5mm veins
- 661xx003 Applicator head, 1/2 in. (12.70mm) pattern width, three 0.040 veins on 1/4 in. (6.35mm) centers, includes 1 pattern shim
- 661xx103 Same as above, 1.5mm veins
- 661xx004 Applicator head, 3/4 in. (19.05mm) pattern width, four 0.040 veins on 1/4 in. (6.35mm) centers, includes 1 pattern shim
- 661xx104 Same as above, 1.5mm veins
- 661xx005 Applicator head, 1 in. (25.40mm) pattern width, five 0.040 veins on 1/4 in. (6.35mm) centers, includes 1 pattern shim
- 661xx105 Same as above, 1.5mm veins
- 661xx006 Applicator head, 1-1/4 in. (31.75mm) pattern width, six 0.040 veins on 1/4 in. (6.35mm) centers, includes 1 pattern shim
- 661xx106 Same as above, 1.5mm veins
- 661xx007 Applicator head, 1-1/2 in. (38.10mm) pattern width, seven 0.040 veins on 1/4 in. (6.35mm) centers, includes 1 pattern shim
- 661xx107 Same as above, 1.5mm veins
- 661xx008 Applicator head, 1-3/4 in. (44.45mm) pattern width, eight 0.040 veins on 1/4 in. (6.35mm) centers, includes 1 pattern shim
- 661xx108 Same as above, 1.5mm veins
- 661xx009 Applicator head, 2 in. (50.80mm) pattern width, nine 0.040 veins on 1/4 in. (6.35mm) centers, includes 1 pattern shim
- 661xx109 Same as above, 1.5mm veins
- 661xx010 Applicator head, 2-1/4 in. (57.15mm) pattern width, ten 0.040 veins on 1/4 in. (6.35mm) centers, includes 1 pattern shim
- 661xx110 Same as above, 1.5mm veins
- 661xx011 Applicator head, 2-1/2 in. (63.50mm) pattern width, eleven 0.040 veins on 1/4 in. (6.35mm) centers, includes 1 pattern shim
- 661xx111 Same as above, 1.5mm veins
- 661xx012 Applicator head, 2-3/4 in. (69.85mm) pattern width, twelve 0.040 veins on 1/4 in. (6.35mm) centers, includes 1 pattern shim
- 661xx112 Same as above, 1.5mm veins

0.040 veins on 1/4-in. (6.35mm) centers - Pattern width = 1-in. (25.40mm)



Applicator Head (661xx005) Bottom View



900 Series Valves

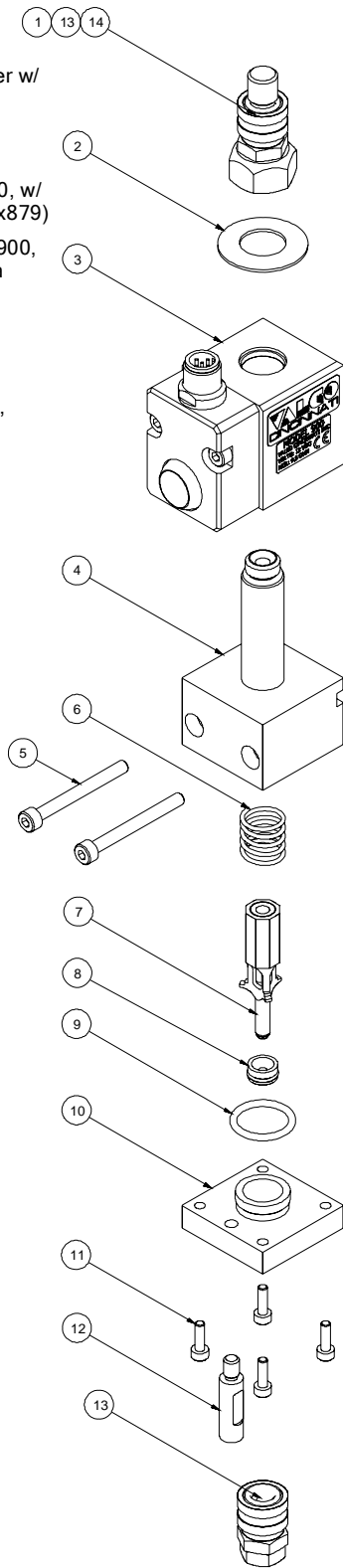
DS054

Replacement Parts

Item	Qty	Part No.	EP Part No.	Description
1	1	752xx036	752xx045	Disconnect adapter w/ male stopper (750xx013)
2	1	783xx043		Spring washer
3	1	704xx872		Solenoid assy, 900, w/ flux washer (704xx879)
4	1	704xx873	707xx610	Valve body assy, 900, w/ O-ring - Item 4a
4a	1	745xx184	746xx169	O-ring
5	2	784xx136		Screw
6	1	783xx042		Spring, 900
7	1	707xx580		Plunger assy, 900, 4mm ball
8	1	707xx462		Seat Insert Assy, w/O-ring - Item 8a (746xx069)
9	1	745xx007	746xx170	O-ring
10	1	704xx878		Seat adapter, 900
11	4	784xx112		Screw
12	1	704xx880		Stand-off, 900
13	1	750xx005	752xx047	Swivel disconnect
14	1	750xx013		Male Stopper

Common Connector Cables

030xx624	Connector cable, 2m (6.6-ft) w/ M12
030xx625	Connector cable, 4m (13-ft) w/ M12
030xx626	Connector cable, 8m (26-ft) w/ M12
030xx741	Connector cable, 10m (33-ft) w/M12
030xx882	Connector cable, 10m (33-ft) w/ flying leads on control end



Repair Kit 707xx443

Item	Qty	Part No.	Description
2	1	783xx043	Spring washer
4a	1	745xx184	O-ring
5	2	784xx136	Screw
6	1	783xx042	Spring, 900
8a	1	746xx069	O-ring
9	1	745xx007	O-ring
11	4	784xx112	Screw
13	1	750xx005	Swivel disconn

Repair Kit 707xx628

Item	Qty	Part No.	Description
2	1	783XX043	Spring washer
4a	2	784XX136	Screw
6	1	783XX042	Spring
9 (EP)	1	746XX170	O-ring
11	4	784XX112	Screw
n/a	1	752XX040	Quick Disc. Ada
4a (EP)	1	746XX169	O-ring
n/a	1	746XX171	O-ring
n/a	1	DS054	Data Sheet, 900
n/a	1	782XX339	Label, EP Seals

Maintenance Kit for 900 Series Valves, Viton

704xx968 Maintenance Kit includes grease, nozzle drill, plunger, seat insert, O-rings, flushing adapter, and disconnect fittings

Maintenance Kit for 900 Series Valves, EP

707xx630 Maintenance Kit includes grease, nozzle drill, plunger, seat insert, O-rings, flushing adapter, and disconnect fittings

BoardRunner Glue Station

The 900 Series valve is most commonly used with the BoardRunner glue station. The BoardRunner glue station is designed for installation on corrugated-box making machines (flexo folder/glue). Contact Valco for other bracket packages.

582xx538	BoardRunner Glue Station
582xx778	BoardRunner Glue Station, tab side

Please visit <http://www.valcomelton.com/flexoseal.htm> for more information on the BoardRunner.