

The 300 series glue valves are solenoid-operated for precise glue patterns at high machine speeds. The compact size permits installation into space-restricted areas and stackability on 15mm centers. The valves feature a purge/test switch and a carbide-tipped plunger assembly for long life. The EZR/ECR versions offer an adjustable stroke for more flexible pattern control.

Applications: Folding cartons, envelopes, mailers, and other requirements in the paper converting and graphics industries.

Technical Data

Coil 16.5 ohms
 Valve Width 15mm (.590 in.)
 Fluid pressure 12 bar (300 psi)
 Viscosity 300–2500 cps
 Life cycle 1.5 Billion Cycles
 Nozzle seat and plunger may need to be replaced sooner depending on application and maintenance.
 Cycle rate 21000 cycles/min
 Cycles per minute depend on glue viscosity and pressure.
 Performance25 (6.35mm) pattern with a .30 (7.62mm) skip @1000 fpm. Capable of dot patterns.

Recommended Controls

- VCX • MCS/PCM2 • MCP-25 • MCP-4

300 EZR Assemblies w/ Standard Restriction Nozzles, Viton Seals

- 707xx421 300EZR Valve, .25mm
- 707xx422 300EZR Valve, .30mm
- 707xx423 300EZR Valve, .35mm
- 707xx424 300EZR Valve, .40mm
- 707xx425 300EZR Valve, .50mm
- 707xx426 300EZR Valve, .60mm
- 707xx427 300EZR Valve, .70mm
- 707xx428 300EZR Valve, .80mm

300 EZR Assemblies w/ Standard Restriction Nozzles, EP Seals

- 707xx441 300EZR Valve, .25mm
- 707xx442 300EZR Valve, .30mm
- 707xx443 300EZR Valve, .35mm
- 707xx444 300EZR Valve, .40mm
- 707xx445 300EZR Valve, .50mm
- 707xx446 300EZR Valve, .60mm
- 707xx447 300EZR Valve, .70mm
- 707xx448 300EZR Valve, .80mm

300 EZR Assemblies w/ Low Restriction Nozzles, Viton Seals

- 707xx411 300EZR Valve, .25mm
- 707xx412 300EZR Valve, .30mm
- 707xx413 300EZR Valve, .35mm
- 707xx414 300EZR Valve, .40mm
- 707xx415 300EZR Valve, .50mm
- 707xx416 300EZR Valve, .60mm
- 707xx417 300EZR Valve, .70mm
- 707xx418 300EZR Valve, .80mm

300 EZR Assemblies w/ Low Restriction Nozzles, EP Seals

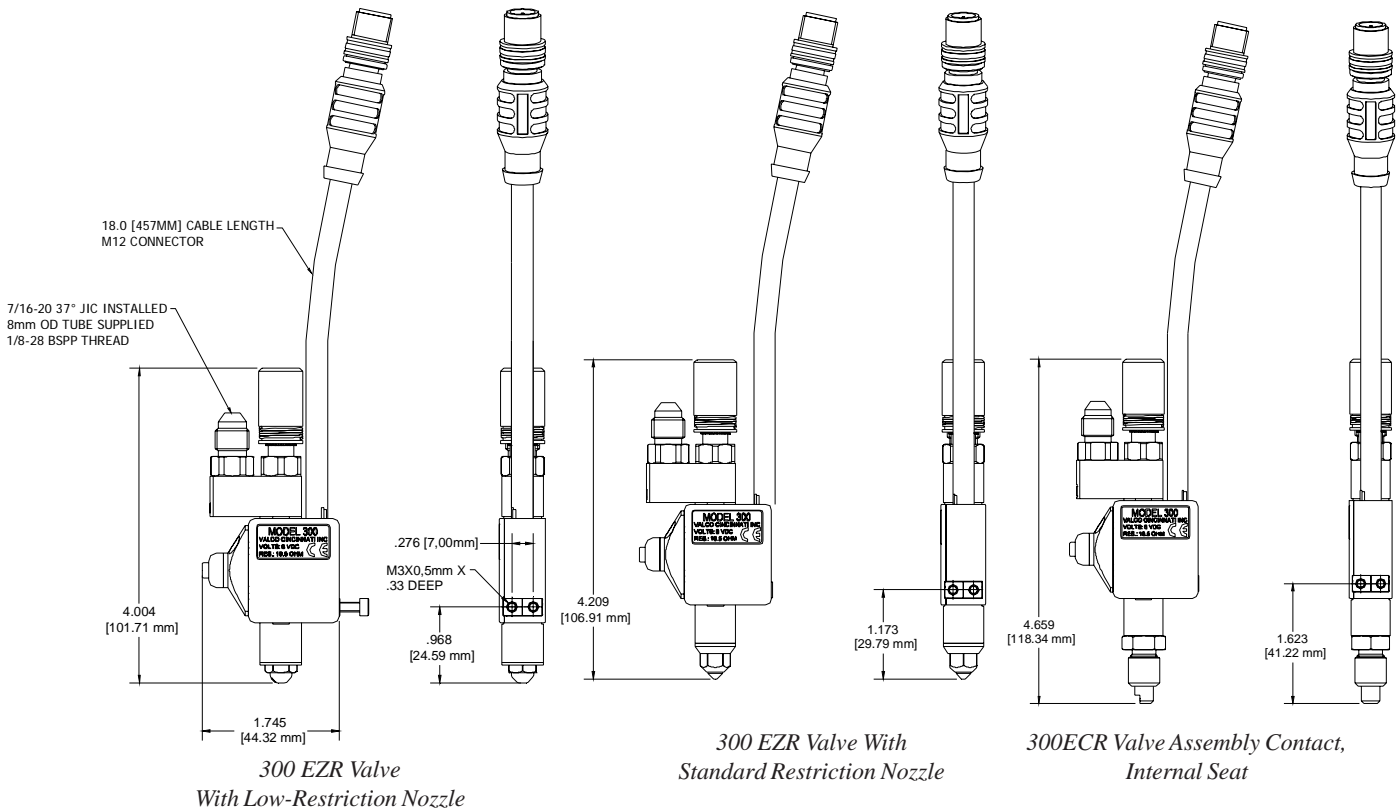
- 707xx731 300EZR Valve, .25mm
- 707xx732 300EZR Valve, .30mm
- 707xx733 300EZR Valve, .35mm
- 707xx734 300EZR Valve, .40mm
- 707xx735 300EZR Valve, .50mm
- 707xx736 300EZR Valve, .60mm
- 707xx737 300EZR Valve, .70mm
- 707xx738 300EZR Valve, .80mm

300ECR Valve Assembly Contact, Internal Seat, Viton Seals

- 707xx400 300 ECR Valve, Contact

300ECR Valve Assembly Contact, Internal Seat, EP Seals

- 707xx701 300 ECR Valve, Contact

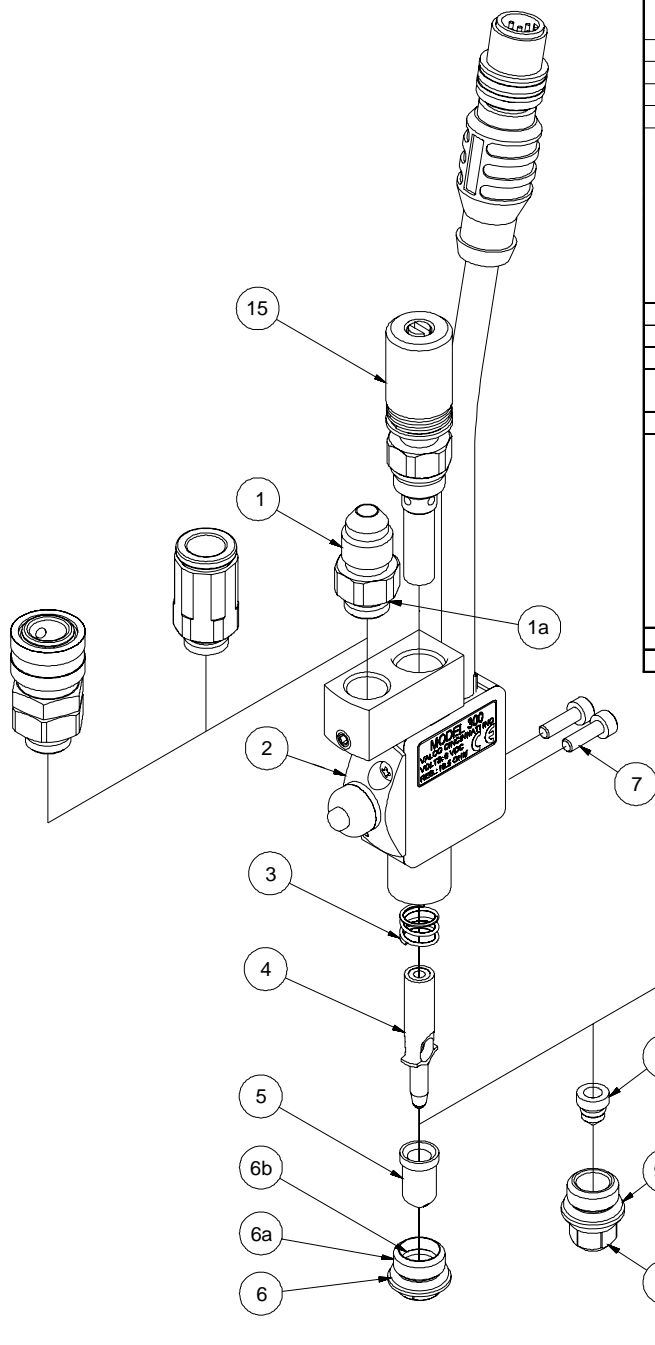


300 EZR/ECR Series Glue Valve

Replacement Parts

		Viton Assy	EP Assy
1	Fitting 7/16-20 37 Degree JIC x 1/8 BSPP	707xx345	707xx618
	Fitting 8mm OD Tube x 1/8 BSPP (Included) (Includes O-ring #1a)	707xx102	707xx102
	Female Swivel x 1/8 BSPP (Sold separately)	799xx658	707xx607
1a	O-ring	745xx339	746xx119
2	300 Valve Sub Assembly	707xx394	707xx394
3	Compression Spring SS	707xx112	707xx112
4	Plunger Assembly, EZ Flow	707xx398	707xx398
5	Low Restriction Nozzle .25mm	707xx241	707xx241
	Low Restriction Nozzle .30mm	707xx242	707xx242
	Low Restriction Nozzle .35mm	707xx243	707xx243
	Low Restriction Nozzle .40mm	707xx244	707xx244
	Low Restriction Nozzle .50mm	707xx245	707xx245
	Low Restriction Nozzle .60mm	707xx246	707xx246
	Low Restriction Nozzle .70mm	707xx247	707xx247
	Low Restriction Nozzle .80mm	707xx248	707xx248
6	Nozzle Body Assembly Low Restriction	707xx364	707xx606
6a	O-ring - large	745xx184	746xx169
6b	O-ring - small	746xx141	746xx168
7	SHCS Stainless Steel	798xx051	798xx051
8	Standard Restriction Nozzle .25mm	707xx110	707xx110
	Standard Restriction Nozzle .30mm	707xx073	707xx073
	Standard Restriction Nozzle .35mm	707xx074	707xx074
	Standard Restriction Nozzle .40mm	707xx075	707xx075
	Standard Restriction Nozzle .50mm	707xx076	707xx076
	Standard Restriction Nozzle .60mm	707xx077	707xx077
	Standard Restriction Nozzle .70mm	707xx078	707xx078
	Standard Restriction Nozzle .80mm	707xx079	707xx079
		Nozzle Body Standard Restriction	707xx109
9			
9a	O-ring	745xx184	746xx169
10	Seat Insert Assembly 1mm Orifice	707xx085	707xx085
11	Nozzle Body, Retaining Nut (Includes Items #10, #12 and #14)	707xx107	707xx616
12	O-ring	746xx087	746xx087
13	Contact Nozzle .30mm	707xx089	707xx089
	Contact Nozzle .40mm	707xx090	707xx090
	Contact Nozzle .50mm	707xx091	707xx091
	Contact Nozzle .60mm	707xx092	707xx092
	Contact Nozzle 1.0mm, 2.5mm Slot	707xx097	707xx097
14	Retaining Nut	783xx171	783xx171
15	Adjustable Back Stop	707xx289	707xx605

Valve supplied with Viton seals



DS083.DWG

	Viton Assy	EP Assy
Maintenance Kit 300EZT Maintenance kit includes lithium grease, flushing adapter, nozzle cleaning drills, cleaning brush, and valve spring.	707xx249	707xx633
Maintenance Kit 300ECT Includes items listed above and:	707xx250	707xx634
Seat Extraction Tool	781xx305	781xx305
Seat Insertion Tool	781xx306	781xx306

Design specifications subject to change without notice. DS083 © Valco Cincinnati Inc. All Rights Reserved. 300 EZR/ECR Series Glue Valve 6/2014

Valco Cincinnati Incorporated
411 Circle Freeway Drive
Cincinnati, Ohio 45246, USA
TEL: (1) 513-874-6550
FAX: (1) 513-874-3612

Melton S.L.U.
Pol. Industrial Agustinos
calle G, n. 34
31160 Orcosen, Navarra, Spain
TEL: (34) 948-321-580
FAX: (34) 948-326-584

Valco Cincinnati, Ltd.
Unit 7-8
Hortonwood 32
Telford TF1 7YN England
TEL: (44) 1952-677911
FAX: (44) 1952-677945

Valco Cincinnati GmbH
Storkower Strasse 6
D-15749 Gallun, Germany
TEL: (49) 33764 8700
FAX: (49) 33764 87070