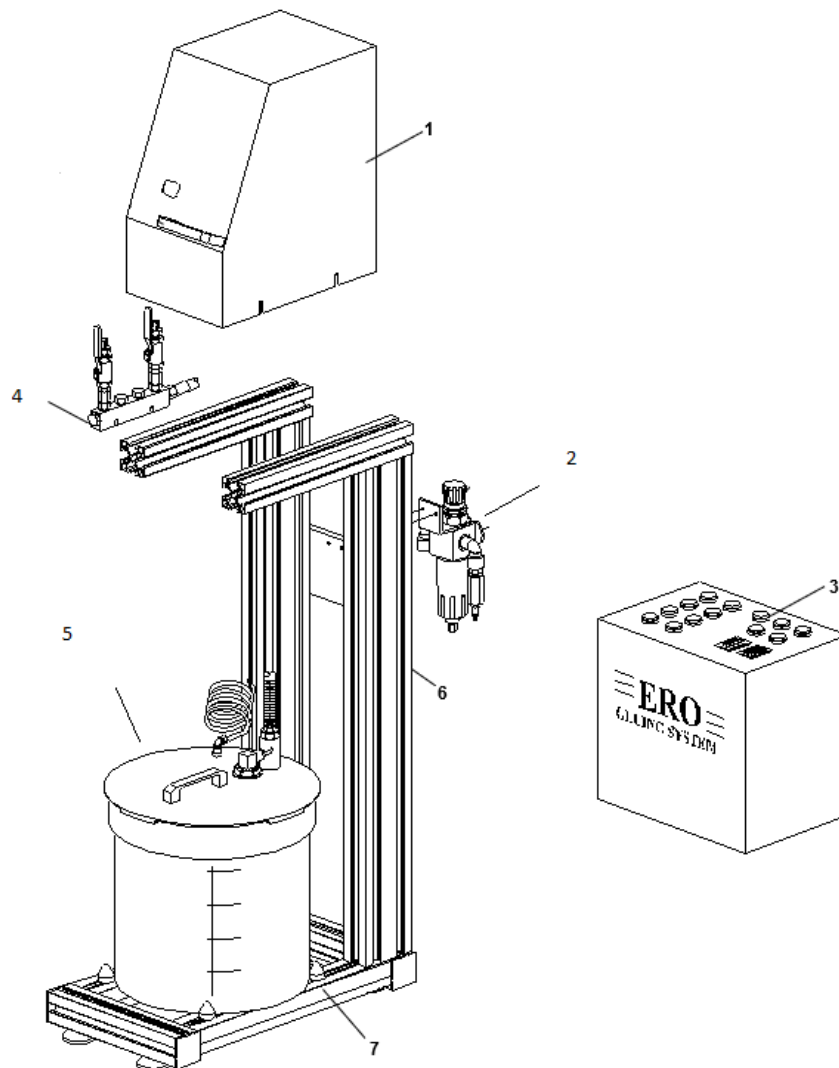


SPARE PARTS CATALOGUE

HIGH PRESSURE GLUING SYSTEM FOR FOLDERGLUER MACHINE

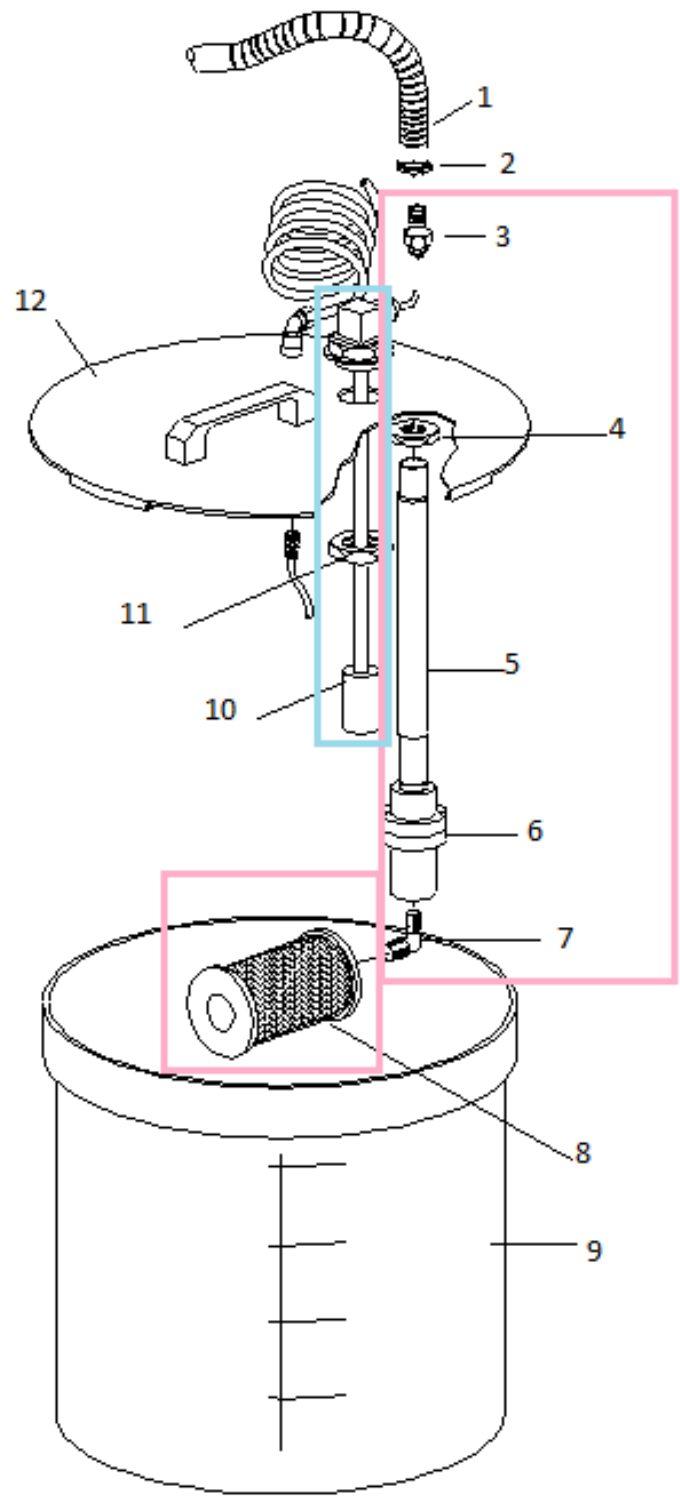


PARTS OF THE SYSTEM



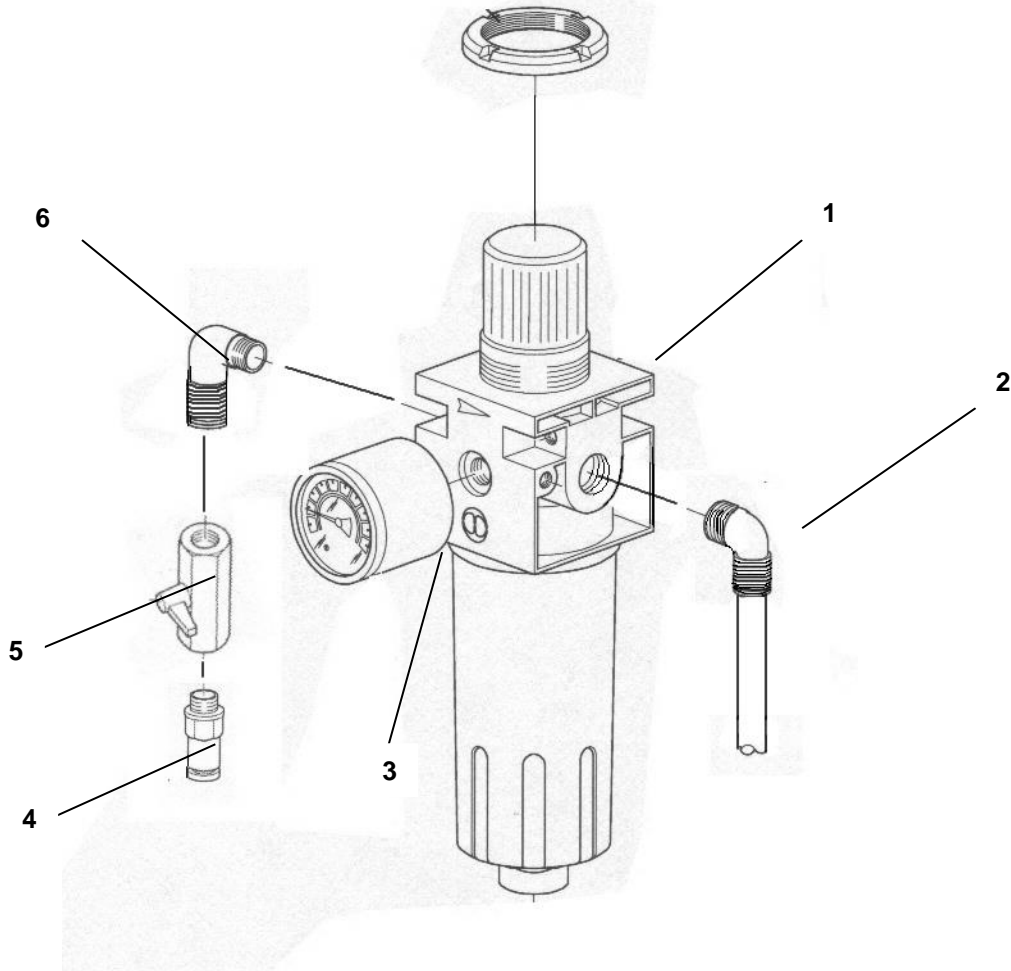
	COD.	DESCRIPTION
1	10E-D000	GLUE PUMP COVER
2	74E-A000	AIR PRESSURE REGULATOR
3	76-AVR2	DRIVER BOX
4	BASE-TE	MANIFOLD
5		BASAMENT GROUP
6	10E-S000	ALUMINIUM STRUCTURE
7	72-1337	HEMISPHERICAL HANDLE

BASAMENT GROUP



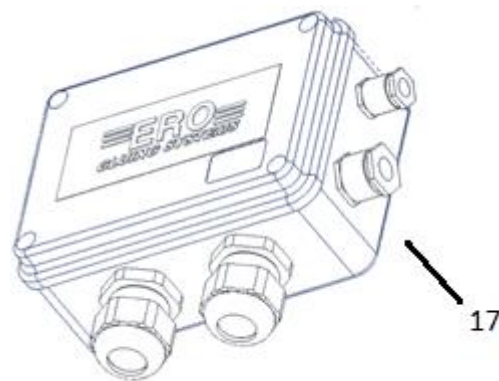
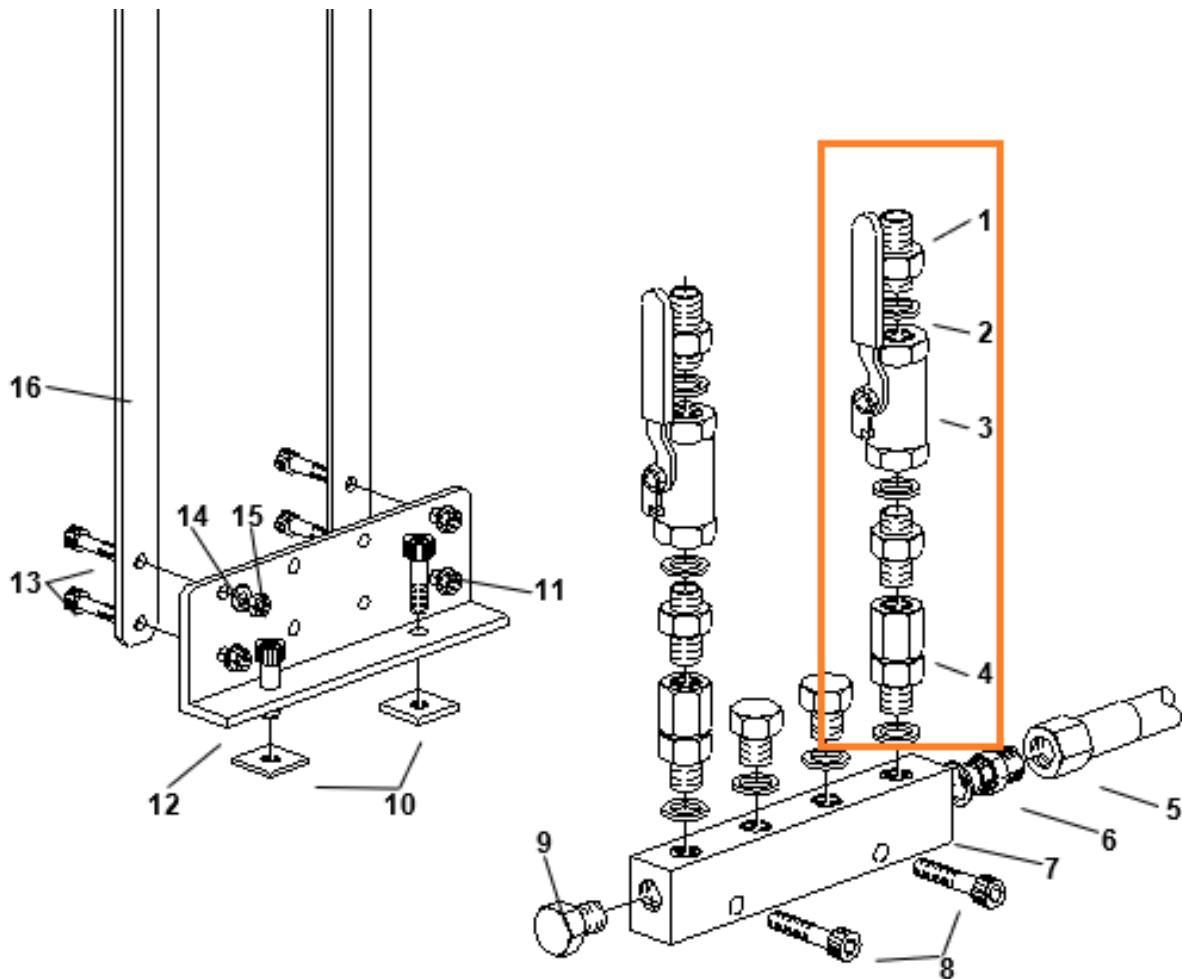
	COD	DESCRIPTION
1	75-1320	GLUE HOSE SUCTION
2	72-1380	STAINLESS STEEL CIRCLIP
3	10E.3515	BUCKET STAINLESS STEEL HOSE
4	72-1505	1/2" STAINLESS STEEL NUT
5	10E.5200.1	STAINLESS STEEL GLUE TUBE
6	10-A000	NON RETURN TUBE
7	73-201044	CAMOZZI FITTING 2010 1/2
8	74-1410	GLUE FILTER 250
9	75-1390	GLUE TANK 30 LT
10	10E-ALL/HP	COMPLETE DEVICE FOR LOW GLUE LEVEL EQUIPPED FOR HP
11	72-1506	1" NUT
12	10E.5000.3	STAINLESS STEEL GLUE BUCKET COVER
	10E-E000	COMPLETE FILTER GLUE BUCKET

74E-A000 AIR TREATMENT GROUP



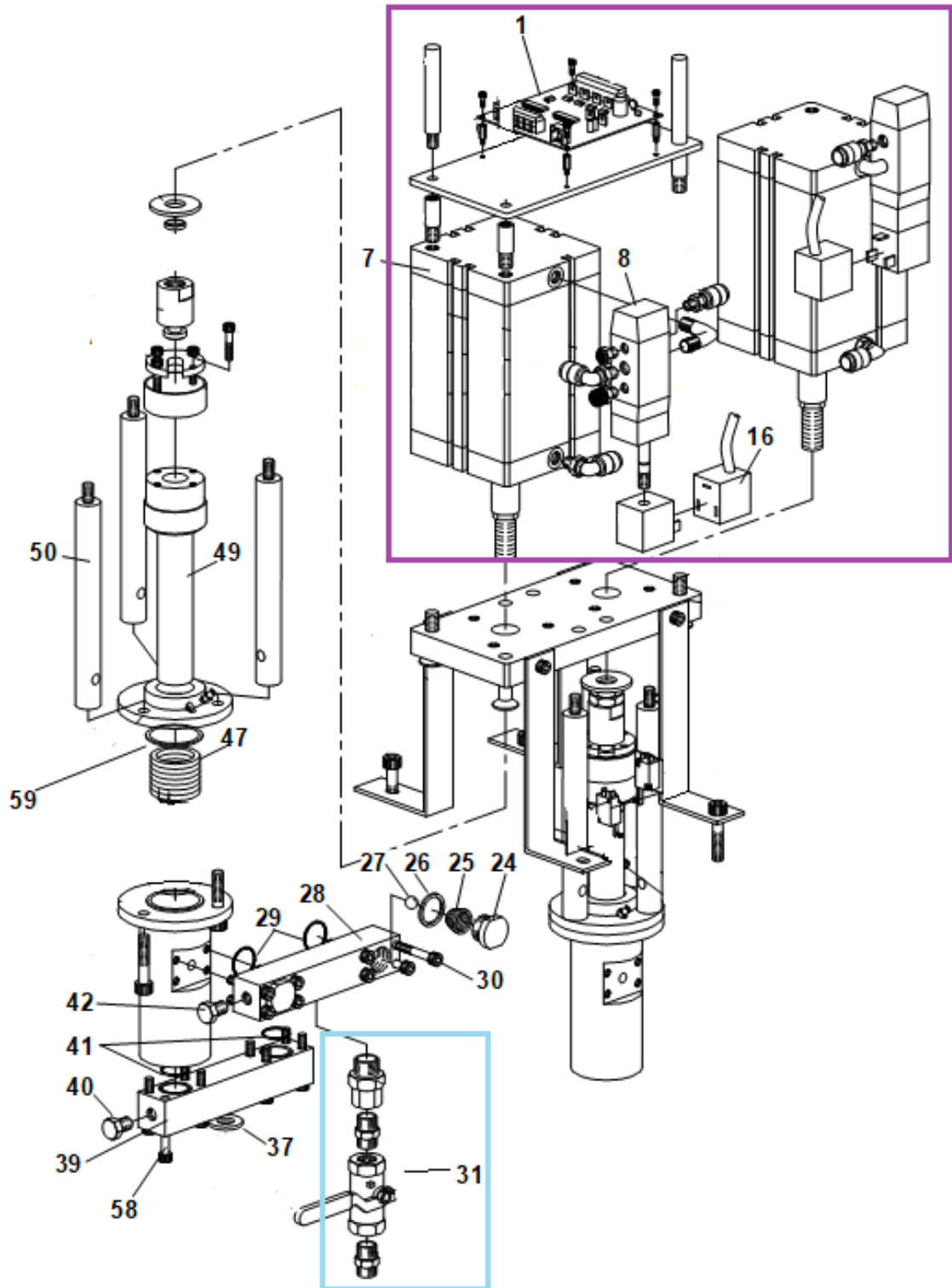
POS	COD	DESCRIPTION
1	74-1090	AIR GROUP REGULATION
2	74-1091	FIXING BRACKET
3	73-201033	CAMOZZI FITTING 2010 3/8
4	74-100033	MINIBALL VALVE SPHERE 3/8 BRASS
5	74-1060	ANI FITTING 15/A OMNI 3/8
	74-1030	ANI FITTING 64/MF
6	74-101001	PRESSURE GAUGE
7	73-201033	CAMOZZI FITTING 2010 3/8

MANIFOLD GROUP



POS	COD	DESCRIPTION
	13E-RUB.HP	TAP FOR HIGH PRESSURE GTE-13 KIT
1	73-250022I	NIPPLO FITTING 1/4 INOX
2	73.2651.2	WASHER 1/4"
3	73-100022I	MINIBALL VALVE SPHERE 1/4 STAIN. STEEL
4	73-0050.22	
5		GLUE TUBE 3/8 HP- THE CODE CHANGES ACCORDING TO THE LENGTH OF THE TUBE
6	73-250023I	
7	50E.0750.4	4 WAYS GLUE MANIFOLD
8		
9	73-261122	CAMOZZI FITTING 2611 1/4
10	72-1440	SQUARE NUT
11	72-1185	VITE TCE-Z M8X14
12	50E.0900.3	SQUARE FOR ANTENNAS
13	72-1215	SCREW TCE-I M6X10
15	72-1432	DADO INOX M6
16	50E.0950	ANTENNA FOR GTE-13 GLUE
17	76-A200FL	ELECTRICAL BOX CONNECTION FOR FOLDERGLUER FG (3M)

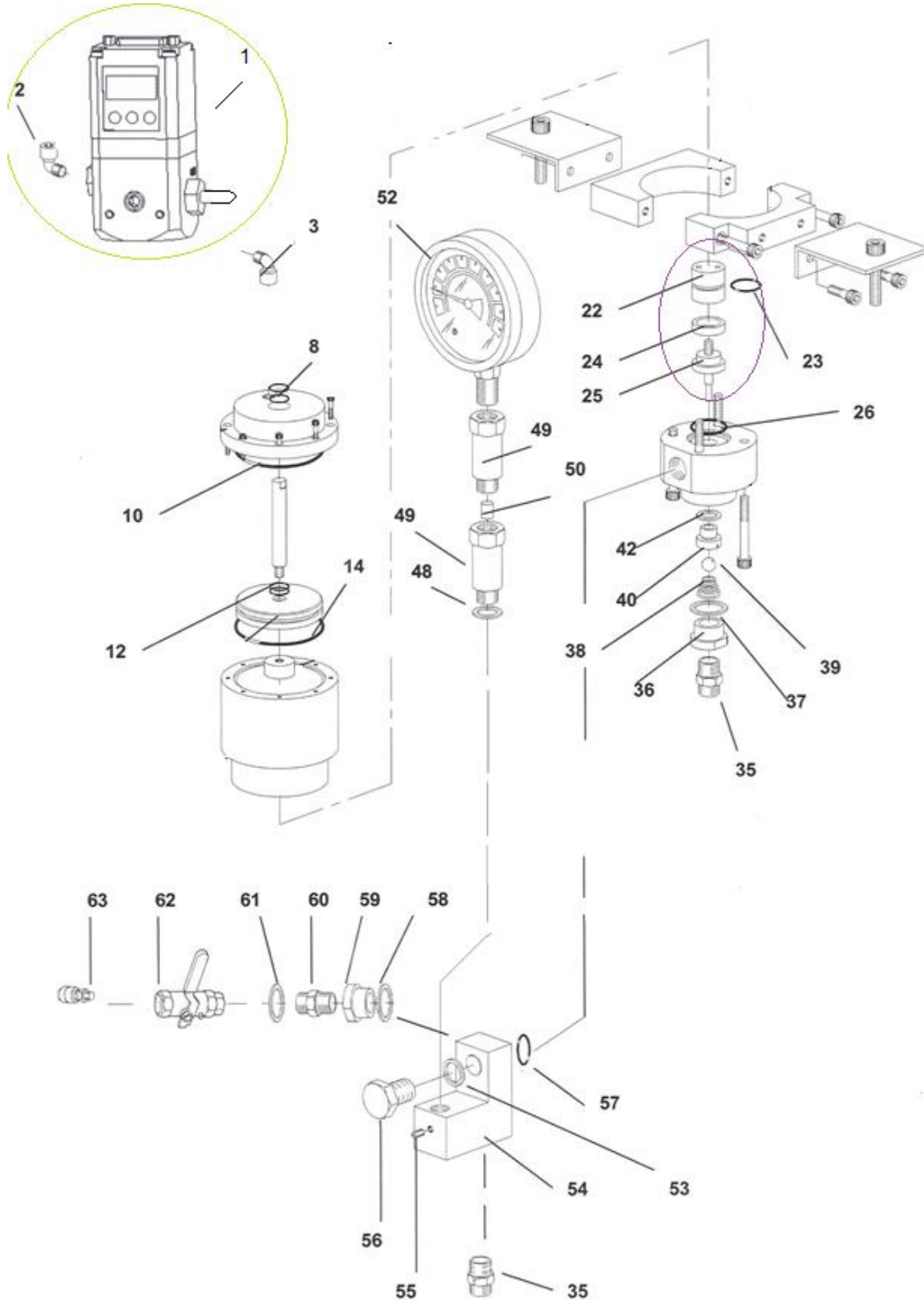
74E-0000.2 COMPLETE ERO HIGHT PRESSURE PUMP



POS	COD.	DESCRITION
1	75.1400	PUMP ELECTRONIC BOARD
7	KIT-10EPUMP.2	HP PUMP CYLINDER GROUP KIT
8	75.1200	PUMP HP SOLENOID VALVE
16	75.1229	24V LED CONNECTOR FOR GTE-10 AND SLIDE
28	10E-2600C	COMPLETED PRESSURE FITTING FOR PUMP
	73.2651.3	ALUMINUM WASHER 3/8 "
30	72-1211	TCE-I M6X35 SCREW
40=42	73-261111	FITTING 2611 1/8
29=41	70-1120	SEAL OR 2087
	10E.2630	PLACE VALVE PRESSURE
31	73-0050.33	SWIVEL FITTING MFX 3/8 STRAIGHT
39	10E-2550C	COMPLETED CPUMP INTAKE FITTING
36	10E.3510.1	PORTAGOMMA INOX POMPA
37	73.2651.3	RONDELLA ALLUMINIO 3/8"
30	72-1211	TCE-I M6X35 SCREW
42=40	73-261111	ALUMINUM WASHER 3/8 "
29=41	70-1120	SEAL OR 2087
	10E.2570	PUMP VALVE SEAT
27	75.1420	STAINLESS BALL 1/2"
31	73-100033C	COMPLETE HP PUMP TAP
47	70.1210N	COMPLETE PISTON PUMP SEALS
49	10E.2050.6	HP PUMP PISTON P
50	10E.2250.1	PUMP LONG COLUMN
59	70-1110	OR PUMP FLANGE 44,00 X 2 - FKM

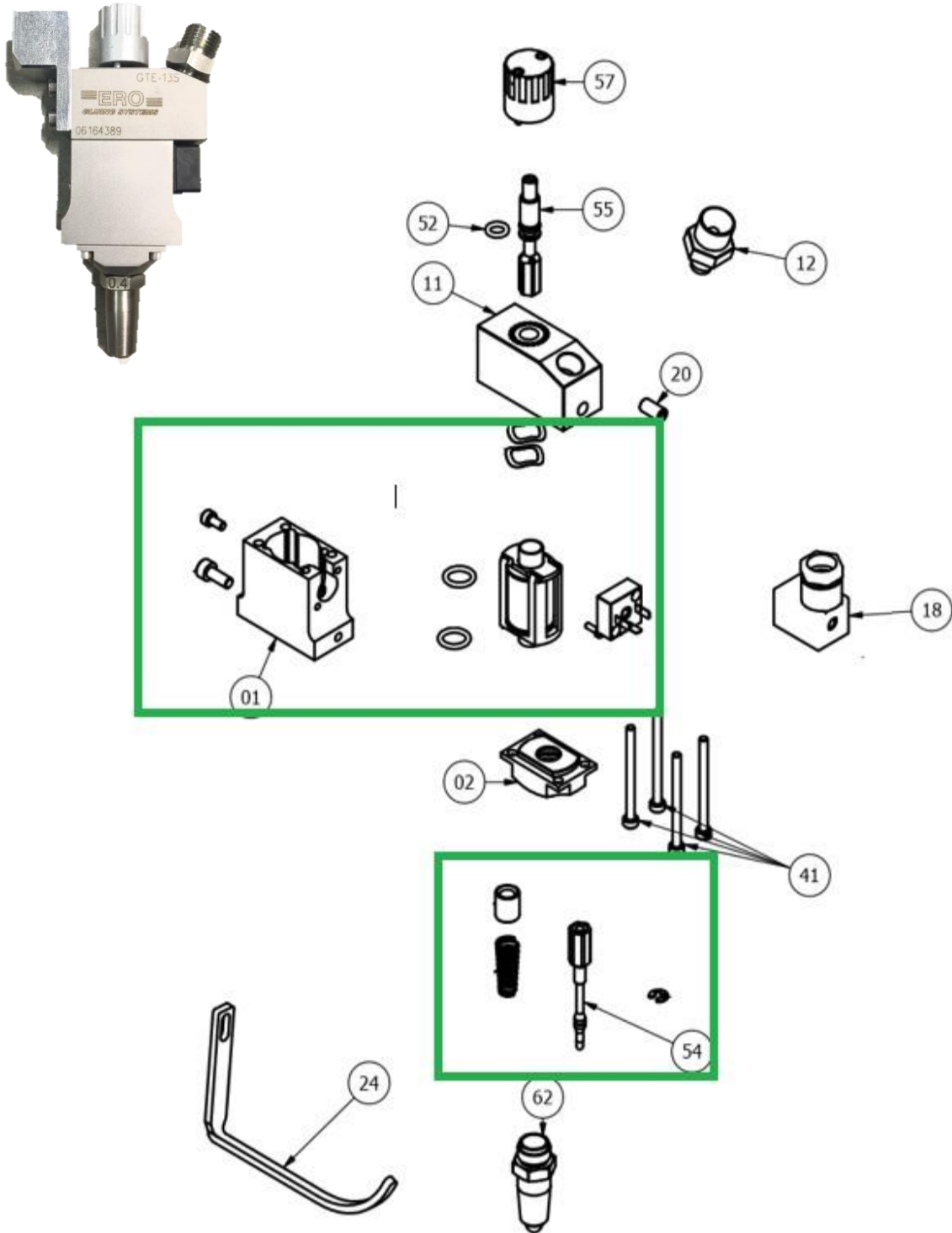


50E-A000 ERO HP FLOW REGULATOR



POS	COD	DESCRIPTION
1	74-1130C/P	COMPLETE PROPORTIONAL VALVE
	76-VP/1MT	COMPLETE VP CABLE 1 MT
	76-VP/3MT	COMPLETE VP CABLE 3 MT
	76-VP/5MT	COMPLETE VP CABLE 5 MT
	76-VP/7MT	COMPLETE VP CABLE 7 MT
	76-VP/10MT	COMPLETE VP CABLE 10 MT
3	73-1020C2	VP 6-1 / 4 FITTING
8=12	70-1030	O.RING 2037
10	70-1190	SEAL 2250
	50E-B000	PIVOT CURSOR FR COMPLETE
22	50E.0400.4	FLOW REGULATOR LOWER BUFFER
23	70.1221	SEAL 24X21X2.5 SINTEK - RF HP
24	70.1222	SEAL EK A 24X17.8X5.8 - RF HP
25	50E.0450.4	FR CURSOR
	50E.0225	FR HP SLEEVE
26	70-1180	SEAL 2106
42	50E.0550.1	FLOW REGULATOR VALVE SLOT
40	50E.0500.2	RF VALVE SEAT
39	50E.0850	SINTEK STOPPER FOR HP FLOW REGULATOR
38	10E.3200	HP PUMP VALVE SEAT SPRING
37	73.2651.4	WASHER 1/2"
36	50E.0600.3	FR CAP
35	73-250033I	3/8 STAINLESS STEEL NIPPLO FITTING
57	70-1120	SEAL OR 2087
54	50E.1050.2	FR BLOCK
53	73.2654.33	RUBBER-STEELWASHER 3/8 BS
56	50E.1100	NUT
55	72-1280	STAINLESS STEEL M5X5 SCREW
58=48=61	73.2651.2	WASHER 1/4"
59	73-0050.22	MFx ¼ FITTING
35=60	73-250022IT	1/4 INOX TURNED NIPPLE FITTING
62	73-100022I	MINIBALL VALVE SPHERE 1/4 STAIN. STEEL
63	73-1511C2	CAMOZZI FITTING 1511 8/6 1/4
49	73-252522Y	FITTING 2525 1/4 27MM CAMOZZI
50	50E.0800.2	FR GLUE SEPARATOR
52	75.1290	FLOW REG.60 BAR PRESS.GAUGE
	50E-G000	SEAL KIT FLOW REGULATOR (POSITION 8-11-10-14-23-24-26)

13E-06S106 COMPLETE SINGLE GTE-13 WITH 0,6 NOZZLE AND 6VOLT COIL



POS	COD.	DESCRIPTION
57	13E.0250C	COMPLETE GTE-13 KNOB
55	13E-0120C	FIXED ANCHOR WITH ELASTIC PIN
52	70-1201	SEAL OR 2018 KALREZ
11	13E.0550.3	SINGLE HEAD GTE-13
12	13E-0800.2	GLUE FITTING HOR HP
12	73-250011	GLUE FITTING FOR LP
20	72-1290	STAINLESS STEEL M5X10
01	13E.0500C/6	COMPLETE STAINLESS BODY GTE-13S 6VOLT COIL
01	13E.0500C/24	COMPLETE STAINLESS BODY GTE-13S 24 VOLT COIL
18	75.1231	ELECTRICAL CONNECTOR
02	13E.0600.3	NOZZLE HOLDER GTE-13
41	72-1172	SCREW TCE-I M3X40
54	13E-0160C	GTE-13 COMPLETE MOVING ANCHOR WITH ELASTIC PIN
24	13E.0410	GTE-13 GUIDE
62	UE0650F106	ONE HOLE NOZZLE DIAM. 0.6

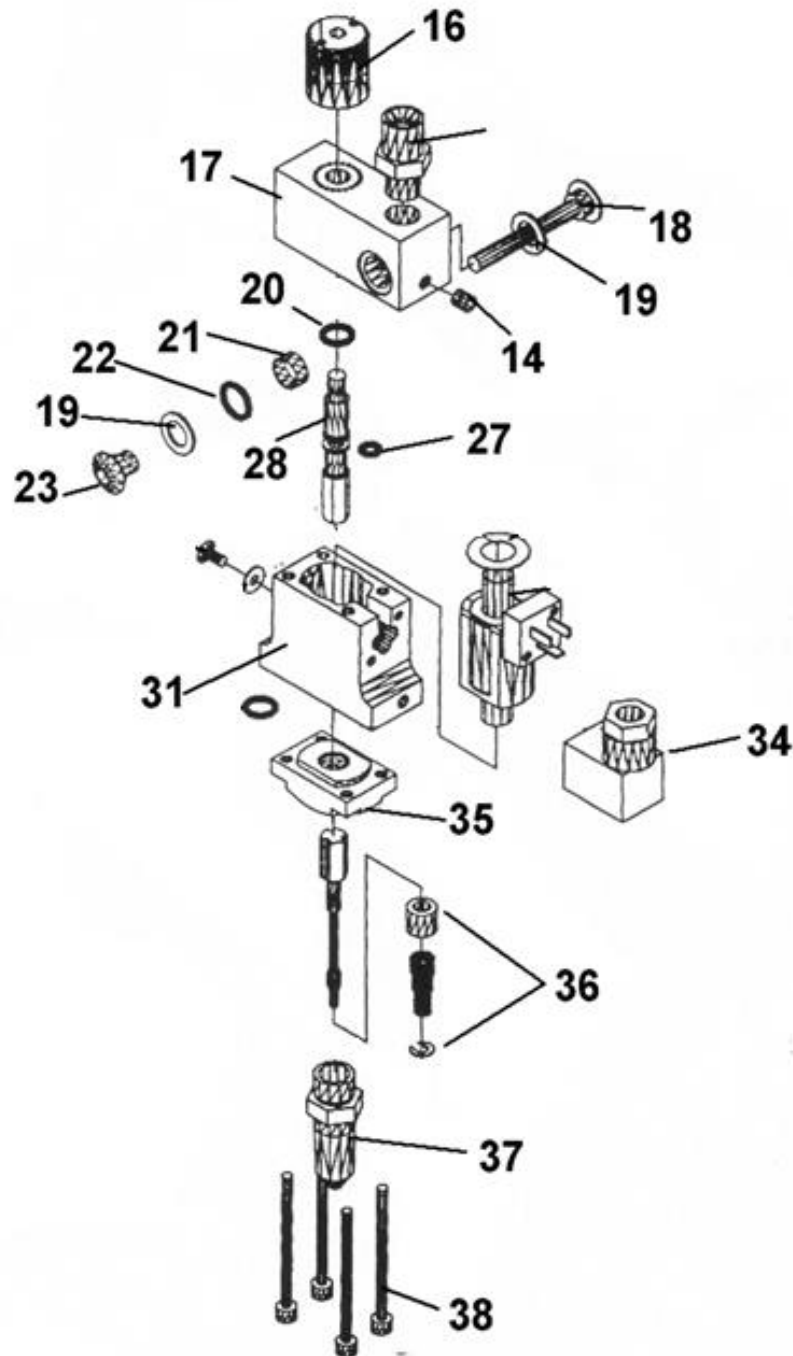
GTE-13 AVAILABLE GLUE NOZZLES

The GTE-13 is provided by a 0,4 diam 1 hole nozzle as standard for the High Pressure and 0,6 diam 1 hole nozzle for the Low Pressure

POS	COD.	DESCRIPTION
1	UE0650F103	ONE HOLE NOZZLE DIAM. 0.3
1	UE0650F104	ONE HOLE NOZZLE DIAM. 0.4
1	UE0650F106	ONE HOLE NOZZLE DIAM. 0.6
1	UE0650F108	ONE HOLE NOZZLE DIAM. 0.8
2	UE0650F204	2 HOLES 0.4 NOZZLE GTE-13
3	UE0650SPAL	SLOT NOZZLE X DISPENSER GTE-13
4	UE0650SPR	GTE-13 SPRAY NOZZLE

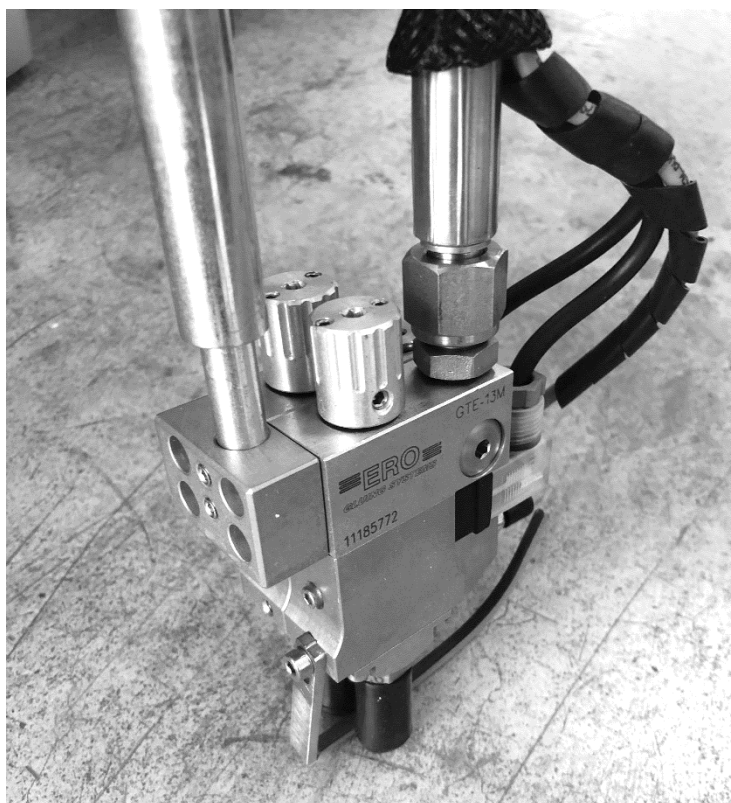


13E-06MR106 MULTIPLE GTE-13 GUN (AS REPLACEMENT) 0,6 NOZZLE AND 6VOLT COIL



POS	COD.	DESCRIPTION
16	13E.0250C	COMPLETE GTE-13 KNOB
17	13E.0560.3	MULTIPLE HEAD GTE-13
18=23	13E.1000D.2	NUT FOR MULTIPLE GTE13 BOLT
19	13E.2020.2	NUT WASHER
14	72-1280	STAINLESS STEEL M5X5 SCREW
20	70-1205	SEAL OR 108 VITON
21	15E.1013	ANELLO DI GIUNZIONE GTE-15
22	70-1027	O-RING 10 X 2 NBR 7
28	13E-0120C	FIXED ANCHOR WITH ELASTIC PIN
27	70-1201	SEAL OR 2018 KALREZ
31	13E.0500C/6	COMPLETE STAINLESS BODY GTE-13S 6VOLT COIL
34	75.1231	ELECTRICAL CONNECTOR
35	13E.0600.3	NOZZLE HOLDER GTE-13
36	13E-0160C	GTE-13 COMPLETE MOVING ANCHOR WITH ELASTIC PIN
37	UE0650F106	ONE HOLE NOZZLE DIAM. 0.6
38	72-1172	SCREW TCE-I M3X40

	13E-2M106	DOUGLE GTE-13 M WITH 0,6 NOZZLE AND 6VOLT COIL
	13E-3M106	TRIPLE GTE-13 M WITH 0,6 NOZZLE AND 6VOLT COIL
	13E-4M106	QUADRUPLE GTE-13 M WITH 0,6 NOZZLE AND 6VOLT COIL



GTE-13 AVAILABLE PHOTOEYES



76-1065
LASER SENSOR 12MM.

- 76-1056 90° MT.5 12MM LASER PHOTO-EYE CABLE
- 76-1053 90° MT.10 12MM LASER PHOTO-EYE CABLE
- 76-1055 LASER 12MM PHOTOEYE CABLE 5 MT
- 76-1057 LASER 12MM PHOTOEYE CABLE 10 MT



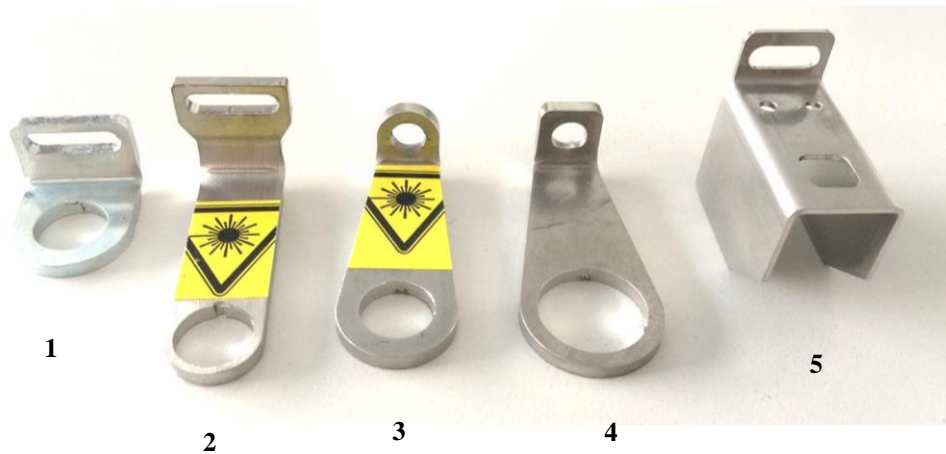
76-1064
PEPPERL INFRARED PHOTOEYE

- 76-1059 90° MT.5 PEPPERL PHOTO-EYE CABLE
- 76-1052 90° MT.5 PEPPERL PHOTO-EYE CABLE
- 76-1058 INFRARED PHOTOEYE CABLE 5 MT
- 76-1054 INFRARED PHOTOEYE CABLE 10 MT



76-1051
CYLINDRICAL PHOTOCCELL BALLUFF 18MM PNP

76-1050
CYLINDRICAL PHOTOCCELL BALLUFF 18MM NPN

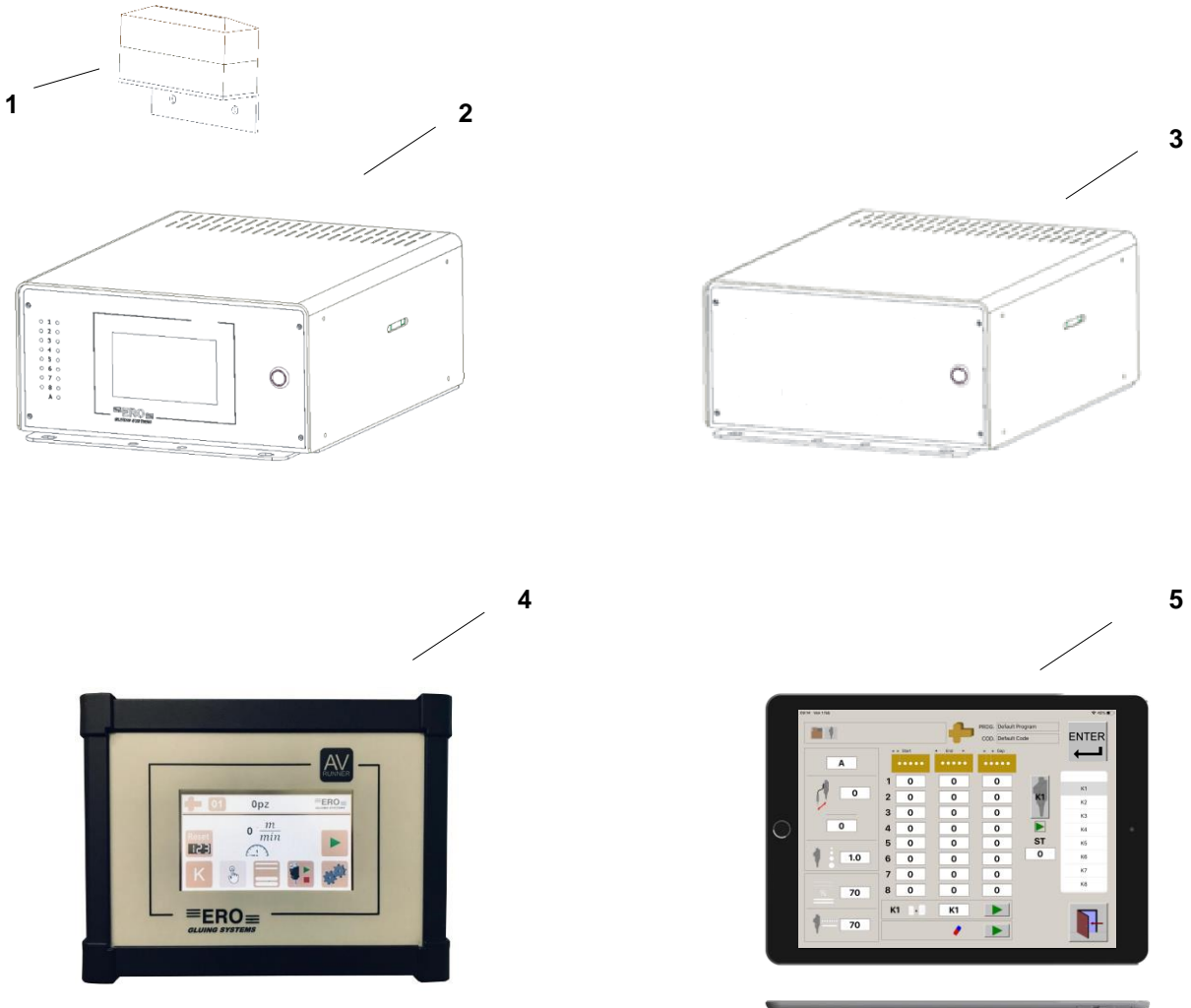


PHOTOEYE SUPPORT MOUNTED ON THE GUN

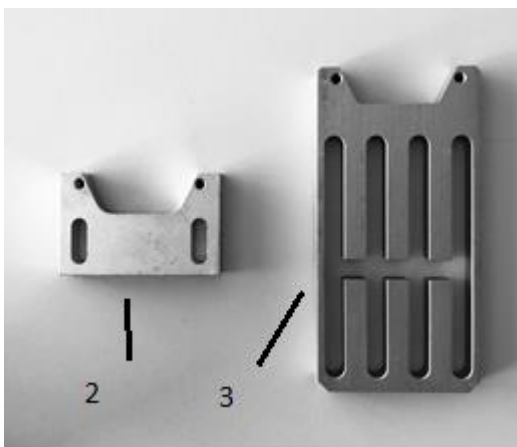
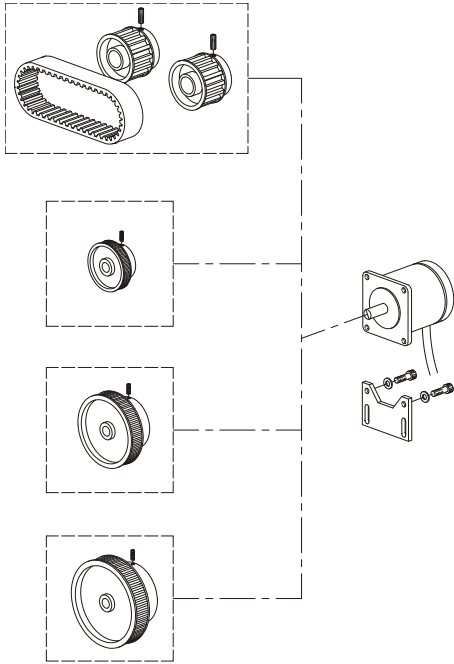
POS	COD	DESCRIPTION
1	13E.1200.2	12MM PHOTO-EYE SUPPORT WITH SLIDE M12
2	13E.1240.2	12MM PHOTO-EYE SUPPORT
3	13E.1250.2	SINGLE 12MM PHOTO-EYE SUPPORT
4	60-1200.2	PHOTO-EYE SUPPORT FOR 18MM CIL.FTC
5	13E.4000.2	PEPPERL FUCHS PHOTO-EYE SUPPORT

CONTROL PANEL AND KEYBOARD

POS	COD	DESCRIPTION
1	76-1385/S	COMPLETE 24v LINEAR LED LAMP FOR LOW GLUE LEVEL ALARM
2	76-AVR2/T	8CH DRIVER BOX WITH INTEGRATED 4.3 "TOUCH PANEL
3	76-AVR2	8CH DRIVER BOX – AVRUNNER.2
4	TCH-NLAMP05	4.3 "TOUCH WITHOUT LAMP - 5MT CABLE
4	TCH-SLAMP05	4.3 "TOUCH WITH LAMP - 5MT CABLE
5	IPAD10.2	IPAD 10,2" 32 GB WIFI
	76-1705C	COMPLETE RED POLISNAP SWITCH FOR DRIVER BOX



ENCODER AND PULLEY



POS	COD.	DESCRIPTION
1	76-1020C	ENCODER COMPLETE WITH 8MTR CABLE AND PLUG
2	10-1147	ENCODER SUPPORT – VEGA MODEL
3	10-1147.3	ENCODER SUPPORT – BOBST MODEL
4	10-1130500	PULLEY 500
5	10-1130400	PULLEY 400
6	10-1130300	PULLEY 300
7	10-1130300G	WHEELED PULLEY 300
	76-B300	ENCODER COMPLETE WITH 300 PULLEY
	76-B300V	ENCODER COMPLETE WITH 300 PULLEY AND VEGA SUPPORT
	76-1037/5	EXTENSION ENCODER + 5 MT
	76-1037/10	EXTENSION ENCODER + 10 MT