

The 400 ECT hi-flow glue valve is a hi-flow version of a 400 valve. This valve is used for multi-pattern applications. The valve is solenoid-operated for precise glue patterns at high machine speeds. The compact size permits installation into space-restricted areas. The valves feature a purge/test switch and a carbide-tipped plunger assembly for long service life.

Applications

Folding cartons, envelopes, mailers, and other requirements in the paper converting and graphics industries

Technical Data

Coil data 12 VDC, 20 ohm,
7.2 W
Coil data 24 VDC, 80 ohm,
7.2 W
Max. fluid pressure 500 psi (35 bar)
Viscosity 300–2500 cps
Min. pattern length 0.20 in. (5 mm)
at 1000 ft/min
(304 m/min)
Min. skip distance 0.50 in. (13 mm)
at 1000 ft/min
(304 m/min)

400ECT contact, hi-flow, Viton

707xx530 400ECT valve assembly
less nozzle, 12VDC

400ECT contact, hi-flow, EP

707xx757 400ECT valve assembly
less nozzle, 12VDC

400ECT nozzle options (#18 on parts list)

NOZZLE - SINGLE ORIFICE - CERAMIC

704XX509 NOZZLE, CONTACT, .016 IN (0.40mm) VEIN
704XX402 NOZZLE, CONTACT, .020 IN (0.50mm) VEIN
704XX419 NOZZLE, CONTACT, .024 IN (0.60mm) VEIN
704XX401 NOZZLE, CONTACT, .028 IN (0.70mm) VEIN
707XX066 NOZZLE, CONTACT, .039 IN (1.00mm) VEIN

NOZZLE - SINGLE ORIFICE - CARBIDE

704XX886 NOZZLE, CONTACT, .012 IN (0.30mm) VEIN
707XX037 NOZZLE, CONTACT, .014 IN (0.35mm) VEIN
704XX887 NOZZLE, CONTACT, .016 IN (0.40mm) VEIN
704XX888 NOZZLE, CONTACT, .020 IN (0.50mm) VEIN
704XX889 NOZZLE, CONTACT, .024 IN (0.60mm) VEIN
704XX890 NOZZLE, CONTACT, .028 IN (0.70mm) VEIN

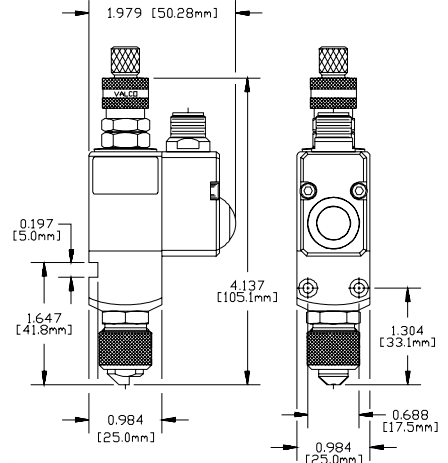
NOZZLE - SINGLE ORIFICE - STAINLESS STEEL

704XX449 NOZZLE, CONTACT, .010 IN (0.25mm) VEIN
704XX499 NOZZLE, CONTACT, .012 IN (0.30mm) VEIN
704XX585 NOZZLE, CONTACT, .014 IN (0.35mm) VEIN
704XX010 NOZZLE, CONTACT, .016 IN (0.40mm) VEIN
704XX009 NOZZLE, CONTACT, .020 IN (0.50mm) VEIN
704XX008 NOZZLE, CONTACT, .024 IN (0.60mm) VEIN
704XX007 NOZZLE, CONTACT, .028 IN (0.70mm) VEIN
704XX332 NOZZLE, CONTACT, .032 IN (0.80mm) VEIN
704XX331 NOZZLE, CONTACT, .039 IN (1.00mm) VEIN

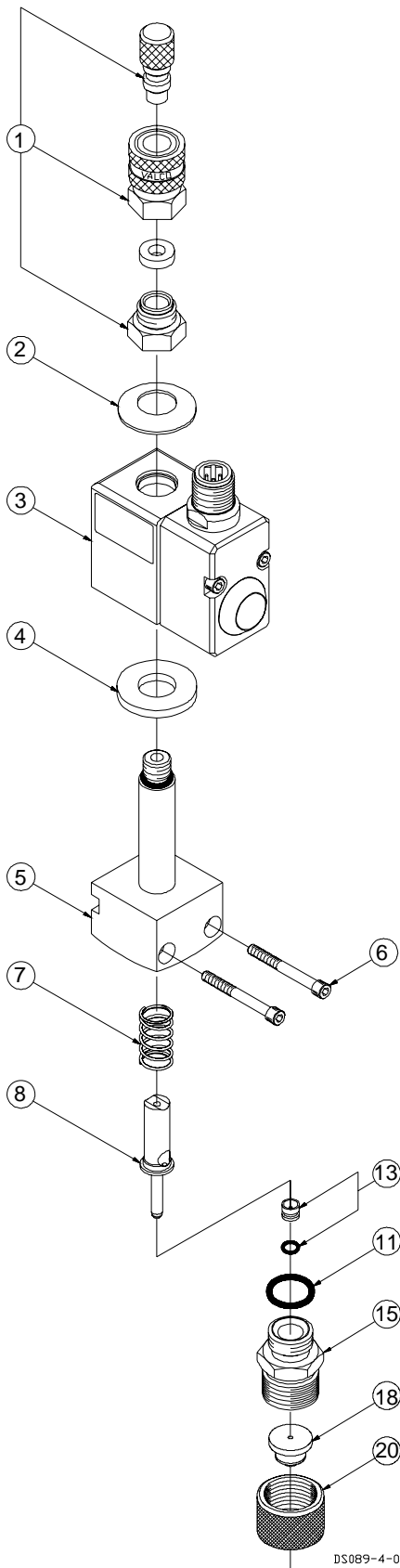
NOZZLE - DUAL ORIFICE - STAINLESS STEEL

704XX260 NOZZLE, CONTACT, .016 IN (0.40mm) VEINS
.24 (6.0mm) CENTERS
704XX404 NOZZLE, CONTACT, .020 IN (0.50mm) VEINS
.24 (6.0mm) CENTERS
704XX405 NOZZLE, CONTACT, .024 IN (0.60mm) VEINS
.24 (6.0mm) CENTERS
704XX406 NOZZLE, CONTACT, .028 IN (0.70mm) VEINS
.24 (6.0mm) CENTERS
704XX261 NOZZLE, CONTACT, .016 IN (0.40mm) VEINS
.31 (8.0mm) CENTERS
704XX407 NOZZLE, CONTACT, .020 IN (0.50mm) VEINS
.31 (8.0mm) CENTERS
704XX408 NOZZLE, CONTACT, .024 IN (0.60mm) VEINS
.31 (8.0mm) CENTERS
704XX409 NOZZLE, CONTACT, .028 IN (0.70mm) VEINS
.31 (8.0mm) CENTERS

400ECT Valve



400 ECT Hi-Flow Series Glue Valve



DS089-4-09

Replacement Parts

| | | Viton | EP |
|---|---|----------|----------|
| 400ECT valve sub-assembly (includes items 1-6), 12VDC | | 704xx798 | 707xx386 |
| 400ECT valve sub-assembly (includes items 1-6), 24VDC | | 704xx800 | 707xx622 |
| 1 | Quick-disconnect assembly | 752xx028 | 752xx040 |
| | Male stopper | 750xx013 | 750xx013 |
| 2 | Spring washer | 793xx153 | 793xx153 |
| 3 | Solenoid assembly (includes item 4) 24VDC | 704xx799 | 704xx799 |
| | Solenoid assembly (includes item 4) 12VDC | 704xx796 | 704xx796 |
| 4 | Flux washer | 704xx348 | 704xx348 |
| 5 | Valve body assembly (includes item 5a) | 704xx563 | 704xx563 |
| | O-ring | 745xx113 | 745xx113 |
| 6 | SHCS, M3 x 25 mm | 798xx049 | 798xx049 |
| 7 | Spring, 12VDC | 793xx727 | 793xx727 |
| | Spring, 24VDC | 793xx271 | 793xx271 |
| 8 | Plunger | 704xx554 | 704xx554 |

400ECT Seats, Adapters, and Retainers

| | | | |
|---|---|----------|----------|
| Nozzle adapter assembly 400ECT (includes items 13, 11, 15, 16, and 20) | | 707xx550 | 707xx384 |
| 11 | O-ring | 745xx340 | 746xx089 |
| 13 | Seat insert assembly (includes O-ring 745xx527) | 707xx491 | 707xx491 |
| 15 | Nozzle adapter, 400ECT | 704xx549 | 704xx549 |
| 18 | Nozzle (see options on front) | | |
| 20 | Retaining nut, 400EC, M16 x 1 | 793xx710 | 793xx710 |

Tools and Repair Kits

| | | |
|-----------------------------|----------|----------|
| Maintenance kit, 400EC | 704xx582 | 707xx635 |
| Seat extraction tool, 400EC | 781xx305 | 781xx305 |
| Seat insertion tool, 400EC | 781xx306 | 781xx306 |

Maintenance kits include lithium grease, flushing adapter, nozzle cleaning drills, cleaning brush, valve spring, and O-rings. The 704xx582 kit also includes seat extraction tools.

Design specifications subject to change without notice. © Valco Cincinnati Inc. All Rights Reserved. DS089 400 ECT Hi-Flow Series Glue Valve 4/2015

Valco Cincinnati Incorporated
411 Circle Freeway Drive
Cincinnati, Ohio 45246, USA
TEL: (1) 513-874-6550
FAX: (1) 513-874-3612

Melton S.L.U.
Pol. Industrial Agustinos
calle G, n. 34
31160 Orcoyen, Navarra, Spain
TEL: (34) 948-321-580
FAX: (34) 948-326-584

Valco Cincinnati, Ltd.
Unit 7-8
Hortonwood 32
Telford TF1 7YN England
TEL: (44) 1952-677911
FAX: (44) 1952-677945

Valco Cincinnati GmbH
Bonnerstrasse 349
40589 Dusseldorf-Benrath, Germany
Tel: +49 211 984 798-0
Fax: +49 211 984 798-20

Valco Melton France
Technoparc des Hautes Faventines
32 Rue Jean Bertin
26000 Valence
Tel: +33 (0)4 75 78 13 73
Fax: +33 (0)4 75 55 74 20