

Valco Cincinnati offers a range of standard tanks, including 1-gallon, 3-gallon, 5-gallon, and 10-gallon sizes. All tanks are A.S.M.E. certified and available complete with stainless-steel, in-line glue filter, air pressure regulator, feed pipe, air input hose, pop safety valve, and quick-disconnects for air and glue lines.

1-GALLON, STAINLESS-STEEL TANKS

Diameter: 9.22 in. (234 mm)
 Height: 8.38 in. (213 mm)
 558x106 1-gallon, stainless-steel tank assembly, 0–30 psi
 558x107 1-gallon, stainless-steel tank assembly, 0–60 psi
 558x108 1-gallon, stainless-steel tank assembly, 0–125 psi

3-GALLON, STAINLESS-STEEL TANKS - CE

Diameter: 9.22 in. (234 mm)
 Height: 13.19 in. (335 mm)
 558x327 3-gallon, stainless-steel tank assembly, 0–30 psi
 558x878 3-gallon, stainless-steel tank assembly, 0–60 psi
 558x877 3-gallon, stainless-steel tank assembly, 0–125 psi

5-GALLON, STAINLESS-STEEL TANKS - CE

Diameter: 9.22 in. (234 mm)
 Height: 22.38 in. (568 mm)
 558x527 5-gallon, stainless-steel tank assembly, 0–30 psi
 558x880 5-gallon, stainless-steel tank assembly, 0–60 psi
 558x881 5-gallon, stainless-steel tank assembly, 0–125 psi

10-GALLON, STAINLESS-STEEL TANKS - CE

Diameter: 9.22 in. (234 mm)
 Height: 25 in. (635 mm)
 558x222 10-gallon, stainless-steel tank assembly, 0–30 psi
 558x883 10-gallon, stainless-steel tank assembly, 0–60 psi
 558x884 10-gallon, stainless-steel tank assembly, 0–125 psi

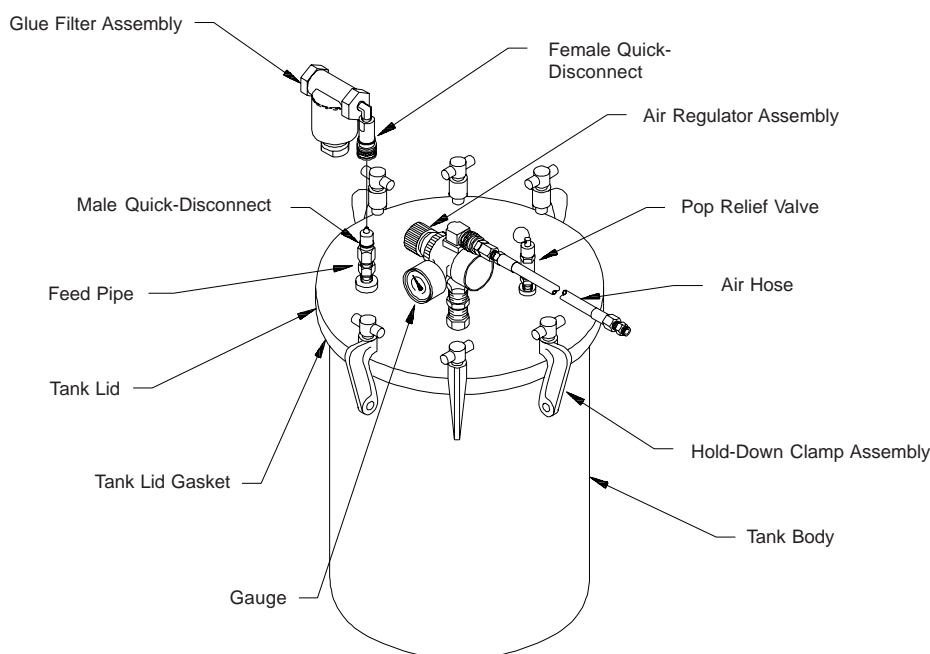
TANK COMPONENTS

558x019 Tank lid
 558x910 Tank lid O-ring
 558x037 Feed pipe, 1-gallon tank
 558x964 Feed pipe, 3-gallon tank
 558x965 Feed pipe, 5-gallon tank
 558x963 Feed pipe, 10-gallon tank



Adhesive System Tank Assemblies

EPOXY-COATED, 5-GALLON PRESSURE VESSEL



The 5-gallon pressure vessel features a full-diameter removable lid. It is designed so that a 5-gallon pail of adhesive can be placed inside the tank.

Diameter:	15 in. (381 mm)
Height:	21.6 in. (549 mm)
558xx505	5-gallon, epoxy-coated pressure vessel, 0–30 psi
558xx500	5-gallon, epoxy-coated pressure vessel, 0–60 psi
558xx515	5-gallon, epoxy-coated pressure vessel, 0–125 psi

TANK COMPONENTS

558xx501	5-gallon tank body/lid assy.
558xx503	5-gallon feed pipe
558xx510	Clamp assembly for tank lid
745xx063	Gasket for tank lid

TANK ASSEMBLY COMPONENTS

The following components are common to all standard Valco Cincinnati tank assemblies:

593xx024	50-mesh, in-line glue filter
593xx020	Replacement screen for above
593xx088	100-mesh, in-line glue filter
593xx087	Replacement screen for above
745xx059	Replacement gasket, in-line filter
703xx003	Pop safety valve, 75 psi, A.S.M.E. rated
703xx027	Pop safety valve, 125 psi, A.S.M.E. rated
594xx094	Air pressure regulator, 0–30 psi
594xx026	Repair kit for above
594xx086	Air pressure regulator, 0–60 psi
594xx091	Repair kit for above
594xx005	Air pressure regulator, 0–125 psi
594xx026	Repair kit for above
786xx003	Pressure gauge, 0–30 psi
786xx001	Pressure gauge, 0–60 psi
786xx002	Pressure gauge, 0–160 psi
755xx012	Air input hose with quick-disconnect, 10 ft (3 m)
752xx002	Female quick-disconnect, air
752xx004	Male quick-disconnect, air
752xx001	Female quick-disconnect, glue (brass)
752xx003	Male quick-disconnect, glue (brass)
752xx007	Female quick-disconnect, glue (stainless steel)
752xx008	Male quick-disconnect, glue (stainless steel)

Design specifications subject to change without notice.

DS044

Tank Assemblies Data Sheet

7/2018

Valco Cincinnati Incorporated
411 Circle Freeway Drive
Cincinnati, Ohio 45246, USA
TEL: (1) 513-874-6550
FAX: (1) 513-874-3612

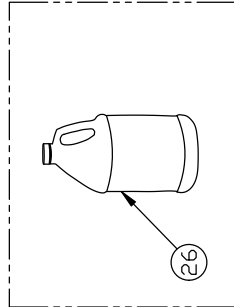
Melton S.L.U.
Pol. Industrial Agustinos
calle G, n. 34
31160 Orcoyen, Navarra, Spain
TEL: (34) 948-321-580
FAX: (34) 948-326-584

Valco Cincinnati, Ltd.
Unit 7-8
Hortonwood 32
Telford TF1 7YN England
TEL: (44) 1952-677911
FAX: (44) 1952-677945

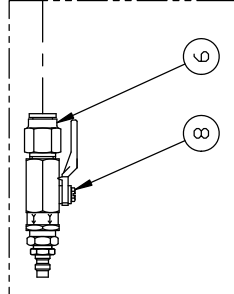
Valco Cincinnati GmbH
Bonnerstrasse 349
40589 Dusseldorf-Benrath, Germany
Tel: +49 211 984 798-0
Fax: +49 211 984 798-20

Valco Melton France
Technoparc des Hautes Faventines
32 Rue Jean Bertin
26000 Valence
Tel: +33 (0)4 75 78 13 73
Fax: +33 (0)4 75 55 74 20

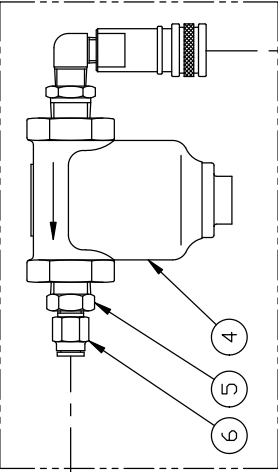
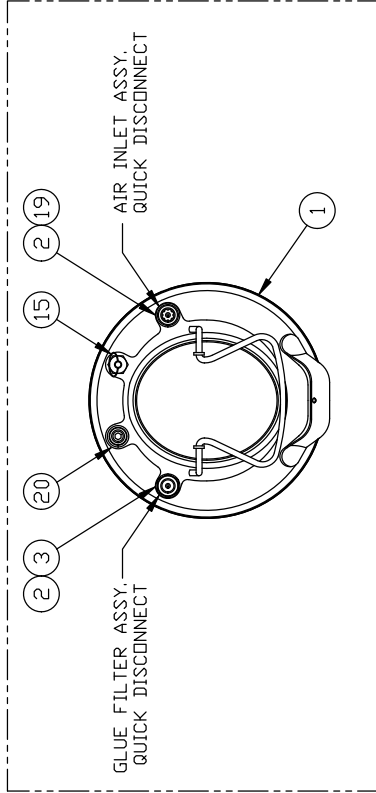
UV DYE - 713XX059



GLUE SHUT-OFF ASSEMBLY

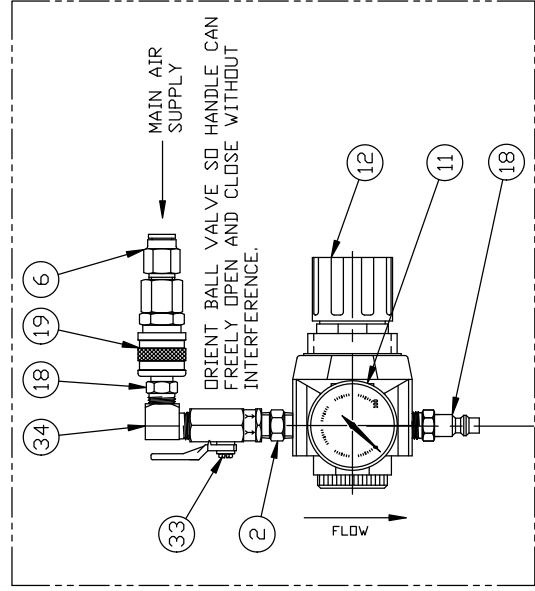


VIEW A-A SCALE 1=4
 △ TANK ASSEMBLY-TOP VIEW

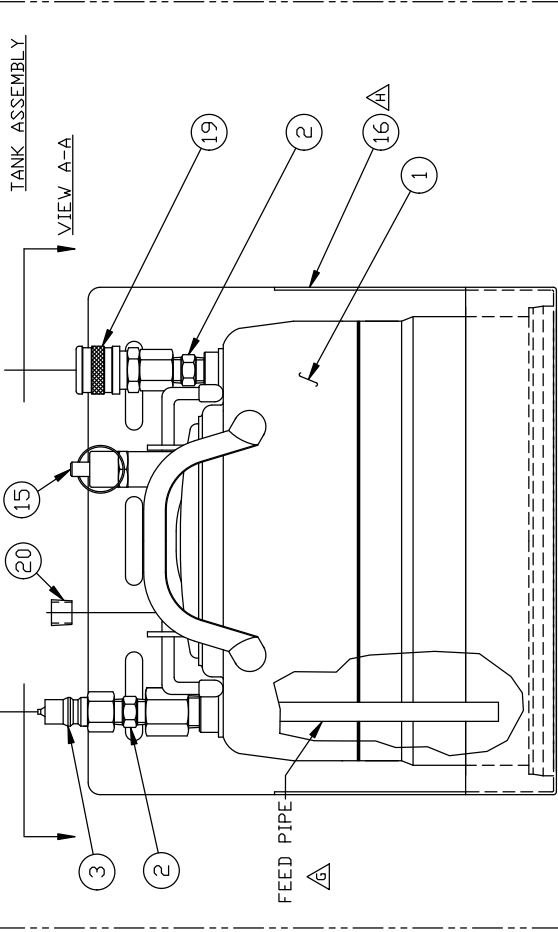


FILTER ASSEMBLY

AIR INLET ASSEMBLY



TANK ASSEMBLY



ITEM QTY	PART#	DESCRIPTION
1	558XX966	TANK, 1 GALLON
2	797XX080	HEX NIPPLE, 1/4 NPT
3	752XX003	MALE QUICK DISCONNECT
4	593XX066	FLUID FILTER ASS'Y.
5	797XX049	BUSHING, 1/2 X 1/4
6	797XX485	UNION, 1/4 UNI X 8mm TUBE
7	755XX737	TUBING, 8mm O.D., RED
8	703XX418	SHUT-OFF VALVE
9	704XX808	VALVE ASSY; 40E2T,0.35MM, 24V
10	583XX371	EASY SET BRACKET ASS'Y.
11	786XX001	GAUGE, 0-100 PSI
12	594XX114	REGULATOR-AIR, HP.
14	755XX734	TUBING, 8mm O.D., BLUE
15	703XX014	SAFETY VALVE, 50 PSI
16	558XX872	BRACKET, PRESSURE POT
18	752XX004	MALE QUICK DISCONNECT
19	752XX002	FEMALE QUICK DISCONNECT
20	799XX332	PLUG, 1/4 NPT
21	061XX248	*CONNECTOR, M12 REV KEY, FEM
23	CV11152	*LABEL; GLUECHEK/FOLD/CHCK
24	313XX437	FLASHLIGHT, 395NM
25	CV10899	BATTERY, AA, ALKALINE
26	713XX059	UV DYE
27	784XX426	SHCS, M6 X 20 SS
28	784XX183	WASHER FLAT M6 SS
29	793XX491	NUT HEX M6 SS
30	797XX005	ELBOW 3/8 NPT-F X 1/2 NPT-M
31	999XC58-15	ILLUSTRATION DRAWING
32	030XX743	CABLE; M12 VALVE, 5PIN, 20M
33	703XX499	SHUT-OFF VALVE
34	797XX007	STREET ELBOW-90 F-M 1/4 X 1/4

NOTES:

- △△ 1) AT ASSEMBLY FACILITY:
 - USE APPROPRIATE THREAD SEALANT ON ALL THREADED CONNECTIONS
 - △ AFTER ASSEMBLY, TEST PER ETS480
 - AFTER TESTING, PACKAGE PER EPS0095
- △ 2) ENSURE PRESSURE CERTIFICATE IS PRESENT AND REMAINS WITH TANK AFTER ASSEMBLY

REV. CONT.:	USED DIN -	THREADED DIMENSIONS TO BE CHANGED UNLESS OTHERWISE SPECIFIED	CONCERNATI	TITLE MARKING TANK ASSEMBLY WITH VALVE CLEARVISION
ADDED NOTES ON PRESSURE CERTIFICATE	OSSEPER RTH OBJECTS EHR	THREAD DEPTH MAX UNLESS OTHERWISE SPECIFIED	125	ANGULAR ± 1/2 DEG.
		BREAK ALL SHARP EDGES TO CORNER RADIUS SPECIFIED (G15 MAX)		MILLIMETERS
		ADDED ASSEMBLY NOTES		INCHES ± .030
		REMOVED ITEM #22 & UPDATED NOTES		DECIMAL ± .010
				FRAC. ± .005
				SCALE 1=2
				DATE 23AUG17
				DRAWING NUMBER 558XX894
				SHEET 1 OF 1
				SUPERSEDES BY