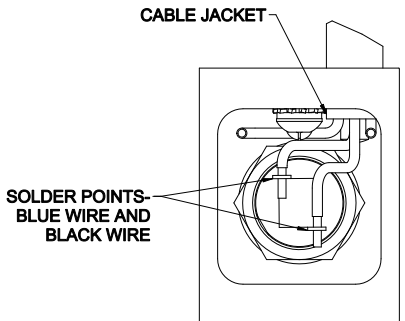


Parts List

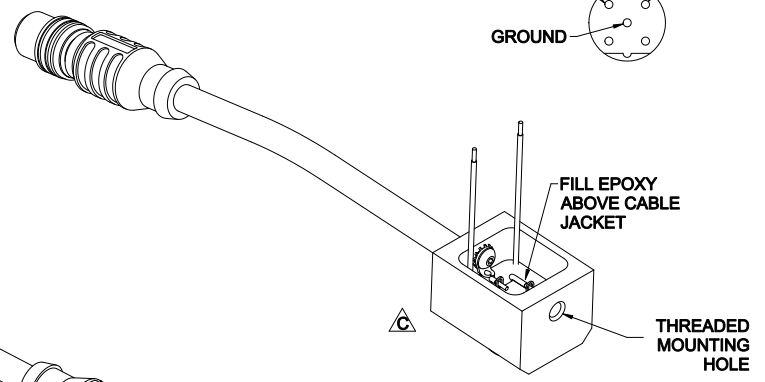
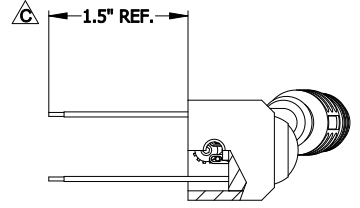
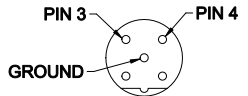
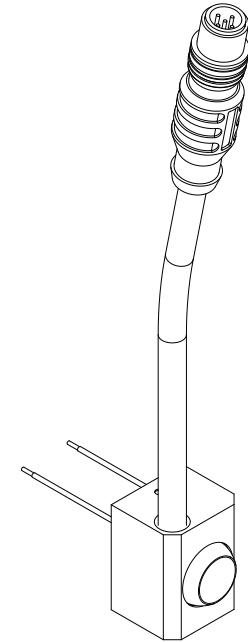
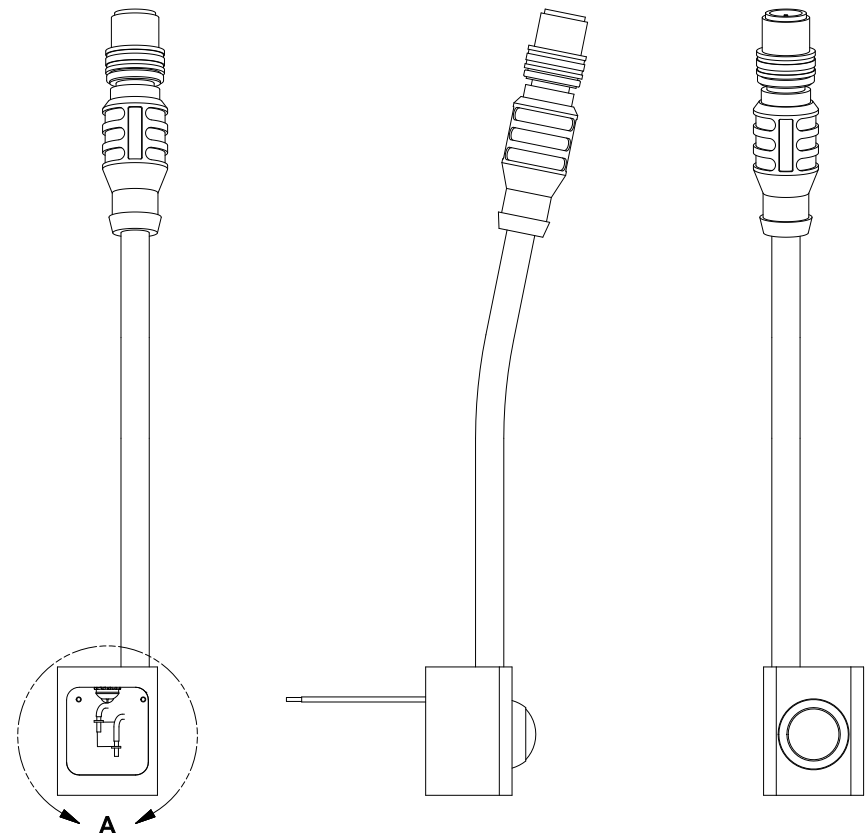
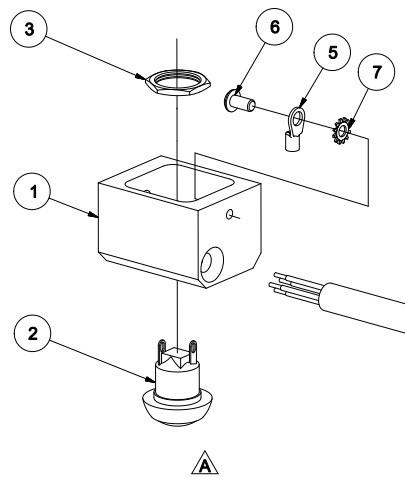
ITEM	PART NUMBER	QTY	DESCRIPTION
1	707XX476	1	CONNECTOR BLOCK; 500 SERIES
2	485XX083	1	SWITCH; PUSH BUTTON, RED
3	485XX084	1	NUT; SWITCH
4	030XX828	1	M12 MALE CABLE; .5M, 5-PIN
5	075XX060	1	WIRE TERMINAL, RING #8 STUD, 22-16 AWG
6	784XX541	1	M3 X 6 BUTTON HEAD CAP SCREW
7	784XX315	1	LOCK WASHER, M3

A



DETAIL A
SCALE 2 : 1

EXPLODED VIEW:



NOTE:
DISCARD LOCK WASHER AND NUT THAT COME WITH 485XX083 (ITEM 2).

USED ON: -	THREAD LENGTH DIMENSIONS ARE FULL THREAD HOLES TO BE CHAMFERED ONE THREAD DEPTH MAX UNLESS OTHERWISE SPECIFIED		PROPERTY CONTAINING PROPRIETARY INFORMATION WHICH MUST NOT BE REPRODUCED OR DISCLOSED WITHOUT WRITTEN PERMISSION AND MUST BE RETURNED UPON DEMAND.			
MTL: SEE PARTS LIST	FINISH: -		TOLERANCES - EXCEPT AS NOTED	TITLE		
REV.: A	ADDED ITEMS 5, 6 & 7, CHANGED NOTES	9-11-08 JPY 12SEP08 BAW	BREAK ALL SHARP EDGES & CORNERS (R0.05) UNLESS OTHERWISE SPECIFIED (R0.15 MAX)	INCHES	ANGULAR ± 1/2 DEG.	CONNECTOR BLOCK ASSEMBLY 500 SERIES
B	UPDATED NOTES	20NOV17 MMA 01DEC17 EMR	DECIMAL .X ± .030	MILLIMETERS	DECIMAL .X ± .76	DATE 10/01/07
C	ADDED LENGTH CALLOUT UPDATED NOTES	12APR03 BNF 14APR03 BNF	DECIMAL .XX ± .010	DECIMAL .XX ± .25	SCALE 1=1	DRAWING NUMBER 707XX475
D	ETS AND EAS CREATED REMOVED ASSEMBLY NOTES	23FEB04 AJI 08MAR24 BAW	DECIMAL .XXX ± .005	DECIMAL .XXX ± .13	SHEET 1 OF 1	SUPPERSED RSP2595
E	REMOVED LOCK WASHER AND ADDED DISCARD NOTE	10MAR25 ASH 25MAR25 BNF	APPROVED BAW			SUPERSEDED BY