

THE 500S SERIES VALVES ARE SOLENOID OPERATED FOR PRECISE GLUE PATTERNS AT HIGH MACHINE SPEEDS. THE VALVE IS USED TO ATOMIZE ADHESIVE. THE VALVE FEATURES A ZERO-CAVITY PLUNGER/SEAT DESIGN TO PREVENT CLOGGING AND HAS NO DYNAMIC SEALS FOR LONG LIFE. THE 500S VALVE HAS AN ADJUSTABLE STROKE FOR MORE FLEXIBLE FLOW RATES.

THE FAN PATTERN 500S VALVE IS MEANT FOR LOWER VISCOSITY FLUIDS. WITH HIGHER VISCOUS FLUIDS A SWIRLING FILAMENT STYLE PATTERN IS PRODUCED RATHER THAN A FINE MIST PATTERN

APPLICATIONS

TAIL SEAL, APPLICATIONS INVOLVING COVERING A LARGE AREA WITH VERY SMALL ADHESIVE CONSUMPTION

TECHNICAL DATA

COIL RESISTANCE - 5.3 OHMS
 VALVE WIDTH - 25mm (.984in)
 VALVE HEIGHT (ROUND & SWIRL) - 134.94mm (5.313in)
 VALVE HEIGHT (FAN) - 139.13mm (5.478in)
 MAX FLUID PRESURE - 400psi
 VISCOSITY RANGE - 100 - 2000 cps
 HOLD VOLTAGE - 6 VDC

VALVE ASSEMBLIES

500S VALVE (ROUND PATTERN) - 702XX802
 500S VALVE (SWIRL PATTERN) - 702XX803
 500S VALVE (FAN PATTERN) - 702XX804

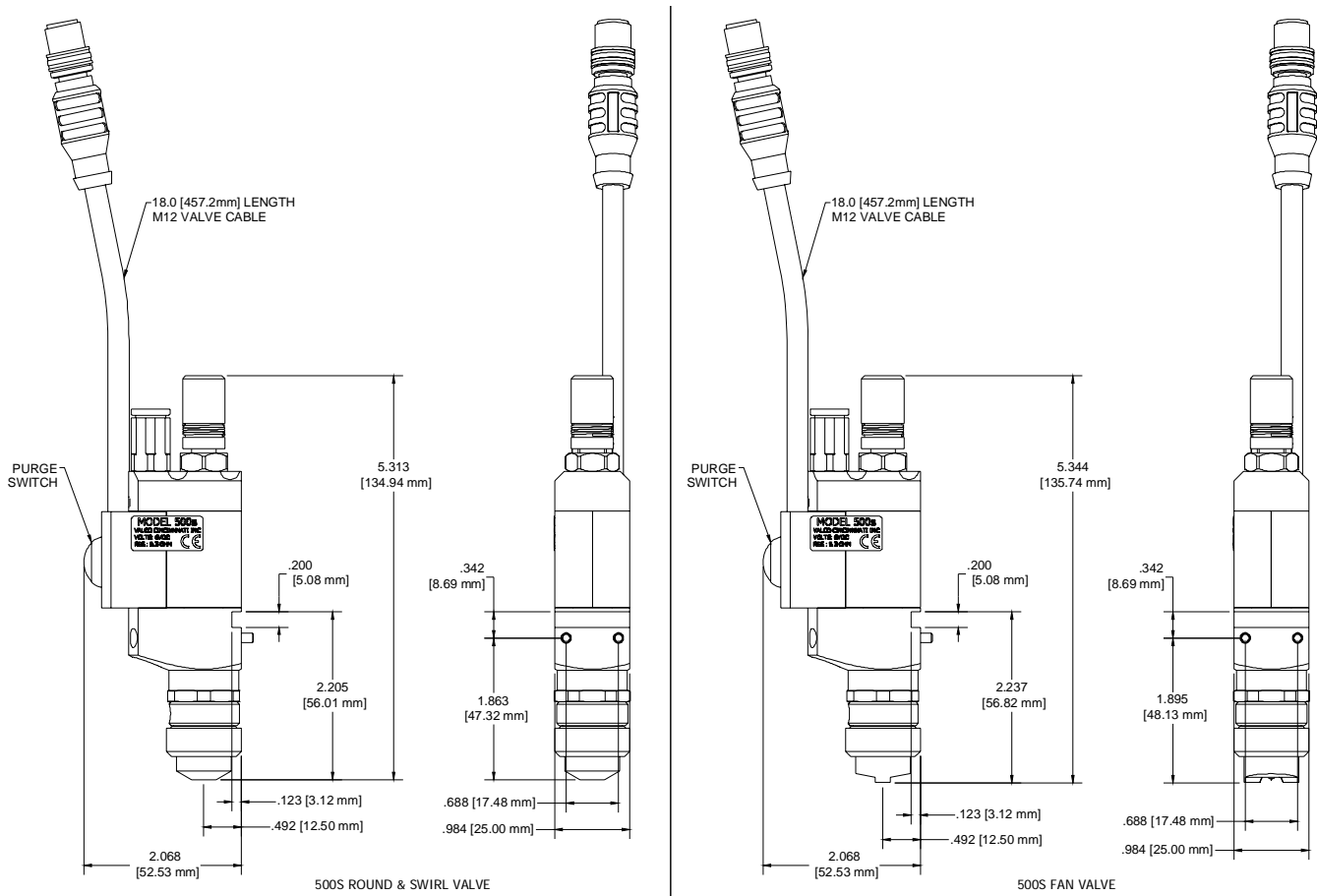
REPAIR KITS

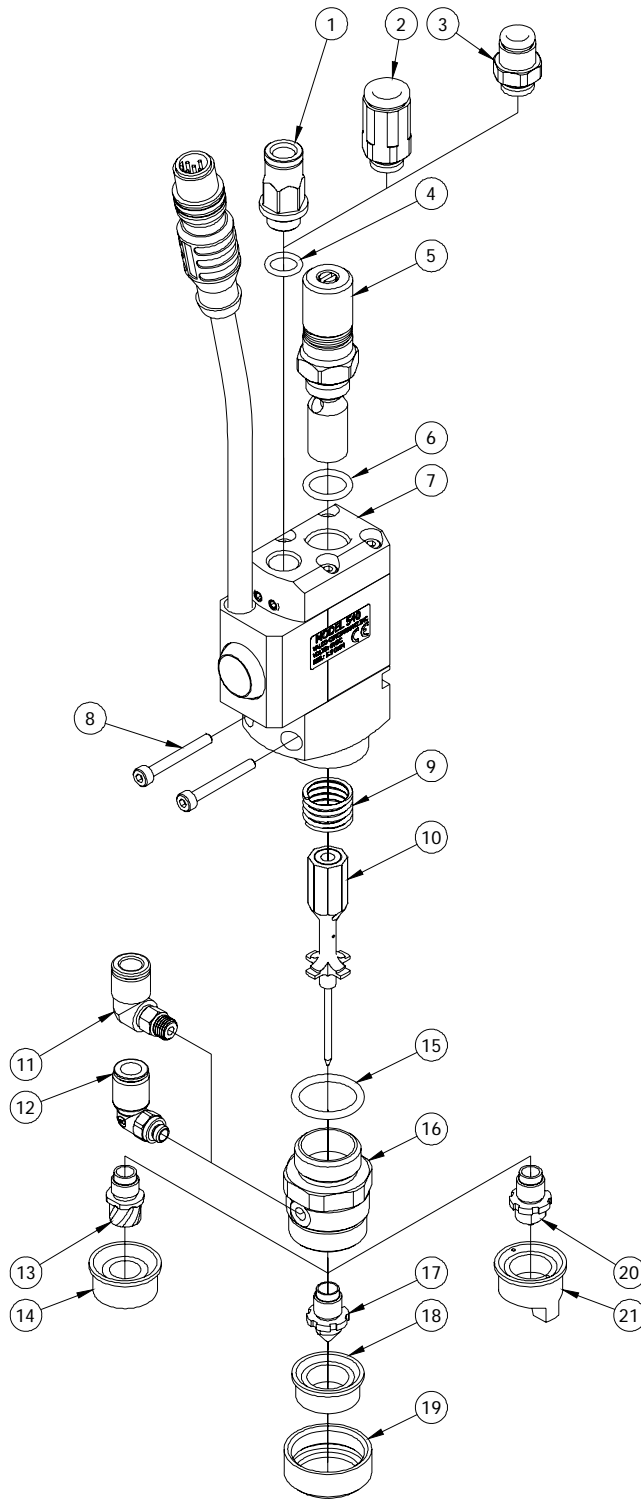
REPAIR KIT (VITON) - 712XX012
 REPAIR KIT (EP) - 712XX013

REPAIR KITS INCLUDE:
 O-RINGS
 SPRING
 MOUNTING SCREWS

AIR KIT

AIR KIT UP TO FOUR VALVE - 593XX498





REPLACEMENT PARTS

1	1/8BSPP X 1/4 CONNECTOR	707XX113
2	1/8BSPP X 8MM CONNECTOR	707XX102
3	1/8BSPP X 6MM CONNECTOR	707XX114
4	O-RING (INCLUDED W/ ITEMS 1, 2 & 3)	745XX339
5	ADJUSTABLE BACKSTOP	707XX472
6	O-RING (INCLUDED W/ ITEM 5)	745XX340
7	VALVE SUB ASSEMBLY	707XX477
8	SHCS M3 X 25 SS	798XX049
9	SPRING	783XX042
10	PLUNGER ASSEMBLY	702XX796
11	1/4" TUBING ELBOW (INCLUDED W/ ITEM 16)	CV11241
12	6mm TUBING ELBOW (INCLUDED W/ ITEM 16)	799XX843
13	NOZZLE - SWIRL (USED W/ ITEM 14)	702XX799
14	SPRAY CAP - SWIRL (USED W/ ITEM 13)	702XX798
15	O-RING (INCLUDED W/ ITEM 16)	745XX007
16	BODY SUB ASSEMBLY (INCLUDES ITEMS 11,12 & 15)	702XX797
17	NOZZLE - ROUND (USED W/ ITEM 18)	702XX790
18	SPRAY CAP - ROUND (USED W/ ITEM 17)	702XX792
19	RETAINING NUT	702XX791
20	NOZZLE - FAN (USED W/ ITEM 21)	702XX801
21	SPRAY CAP - FAN (USED W/ ITEM 20)	702XX800

Design specifications subject to change without notice.

© Valco Cincinnati Inc. All Rights Reserved.

DS091

500S Valve

5/2017

Valco Cincinnati Incorporated
411 Circle Freeway Drive
Cincinnati, Ohio 45246, USA
TEL: (1) 513-874-6550
FAX: (1) 513-874-3612

Melton S.L.U.
Pol. Industrial Agustinos
calle G, n. 34
31160 Orcoyen, Navarra, Spain
TEL: (34) 948-321-580
FAX: (34) 948-326-584

Valco Cincinnati, Ltd.
Unit 7-8
Hortonwood 32
Telford TF1 7YN England
TEL: (44) 1952-677911
FAX: (44) 1952-677945

Valco Cincinnati GmbH
Bonnerstrasse 349
40589 Dusseldorf-Benrath, Germany
Tel: +49 211 984 798-0
Fax: +49 211 984 798-20

Valco Melton France
Technoparc des Hautes Faventines
32 Rue Jean Bertin
26000 Valence
Tel: +33 (0)4 75 78 13 73
Fax: +33 (0)4 75 55 74 20