



VALCO MELTON

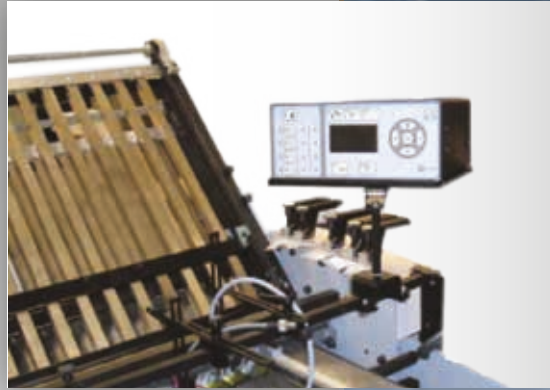
Adhesive Dispensing & Quality Assurance Systems

Print Finishing Solutions

English Edition

PAPER FOLDER DISPENSING APPLICATIONS

Valco Melton provides hot melt and cold glue adhesive dispensing systems for gluing requirements on sheet-fed paper folders. Systems are available for spot gluing, seam gluing, tipping, and ribbon coating. Typically these systems feature the MCP-4 control and the 300 series non-contact valve or the MX series. A selection of rugged, yet simple mounting brackets are available. Most systems will include a small stainless-steel tank or the Valco Melton D4-e all electric melt tank for hot melt).



Valco Melton offers a wide range of applicators suitable for applications requiring fast cycle rates, high line speeds and long service life. Our compilation of applicators, brackets and nozzles can be assembled to create an adhesive application system tailored to your specific requirements.



**MX Series
Applicator**

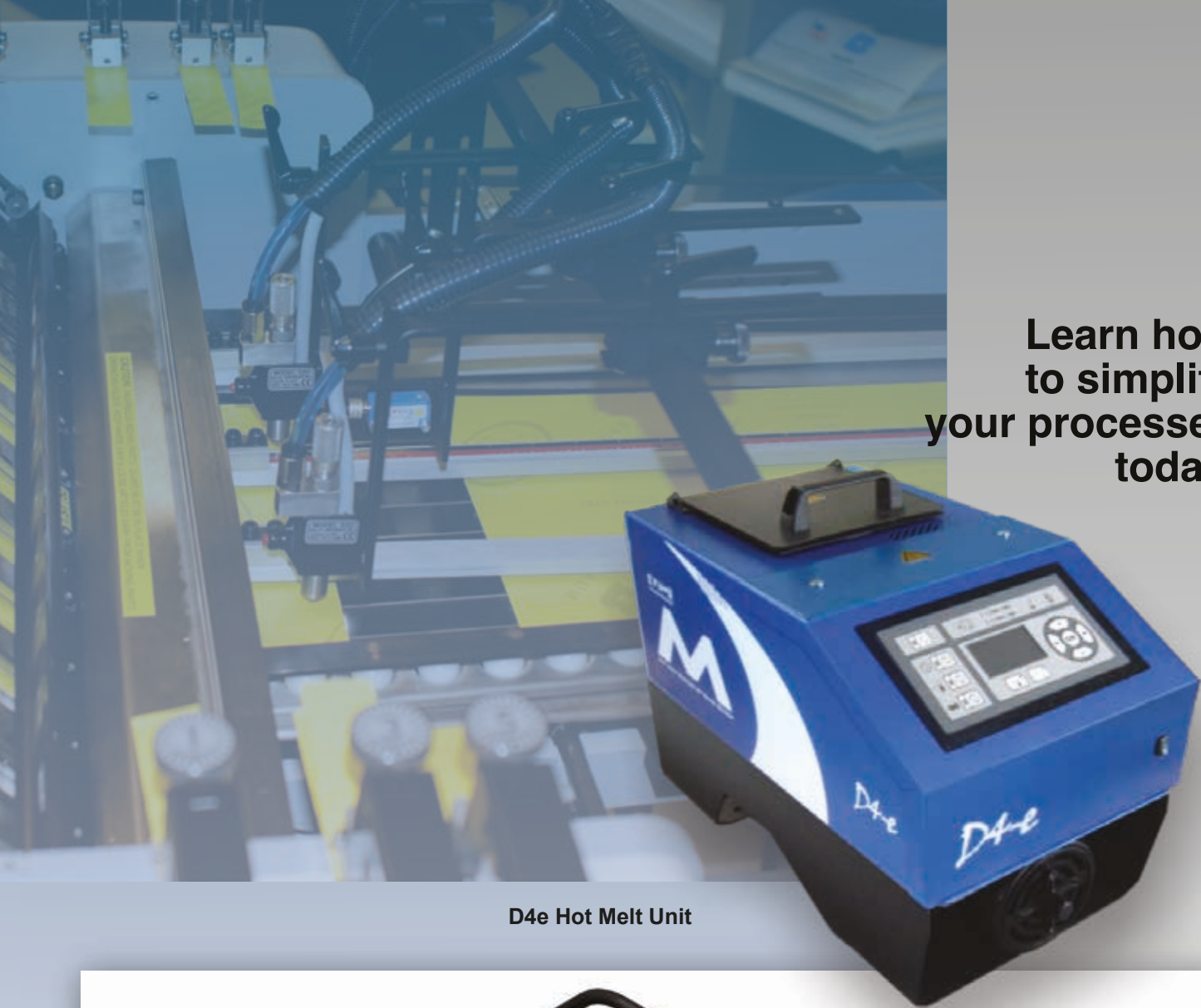


**300 Series
Valve**

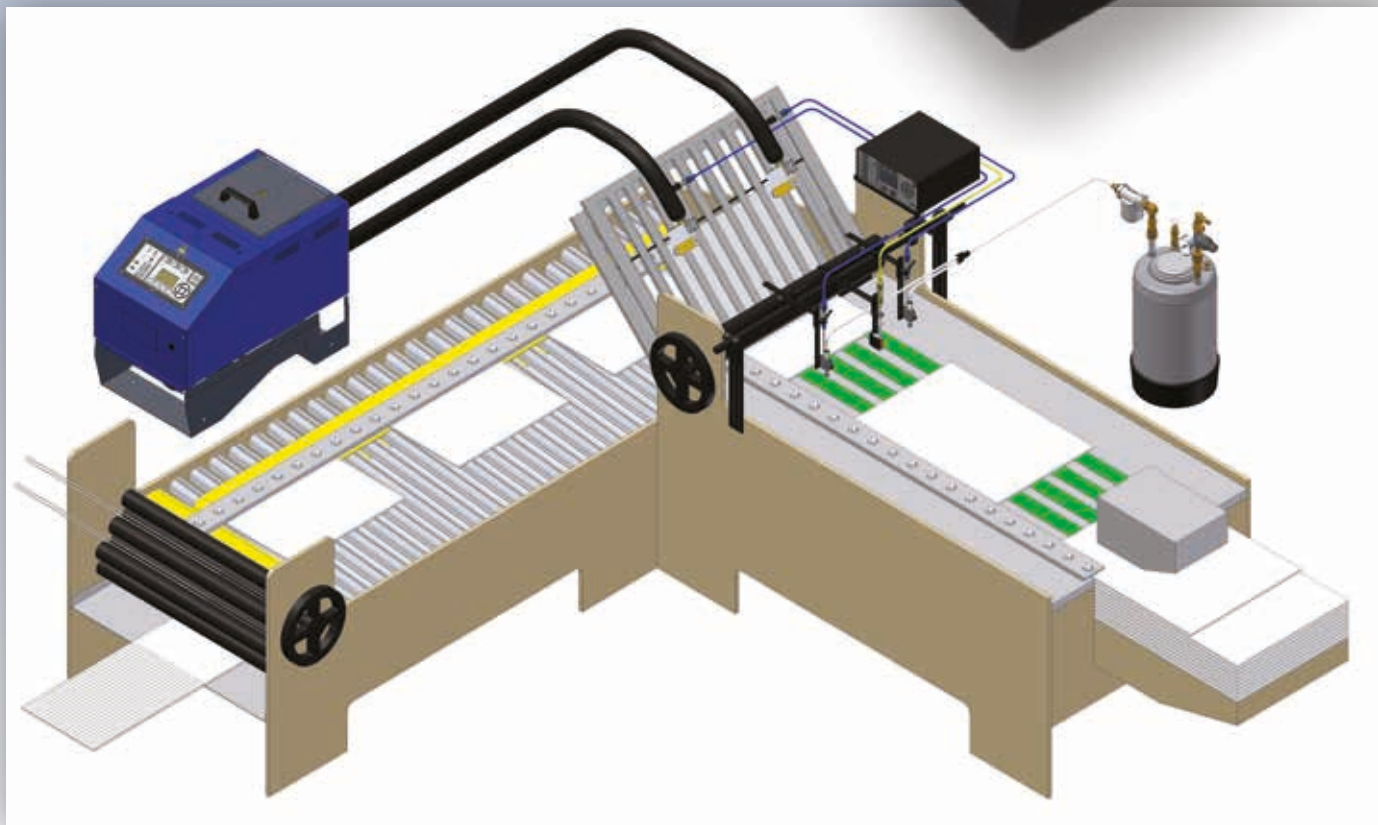


**Bracket and
Applicator Assembly**

Learn how
to simplify
your processes
today.



D4e Hot Melt Unit



System Layout | Paper Folder

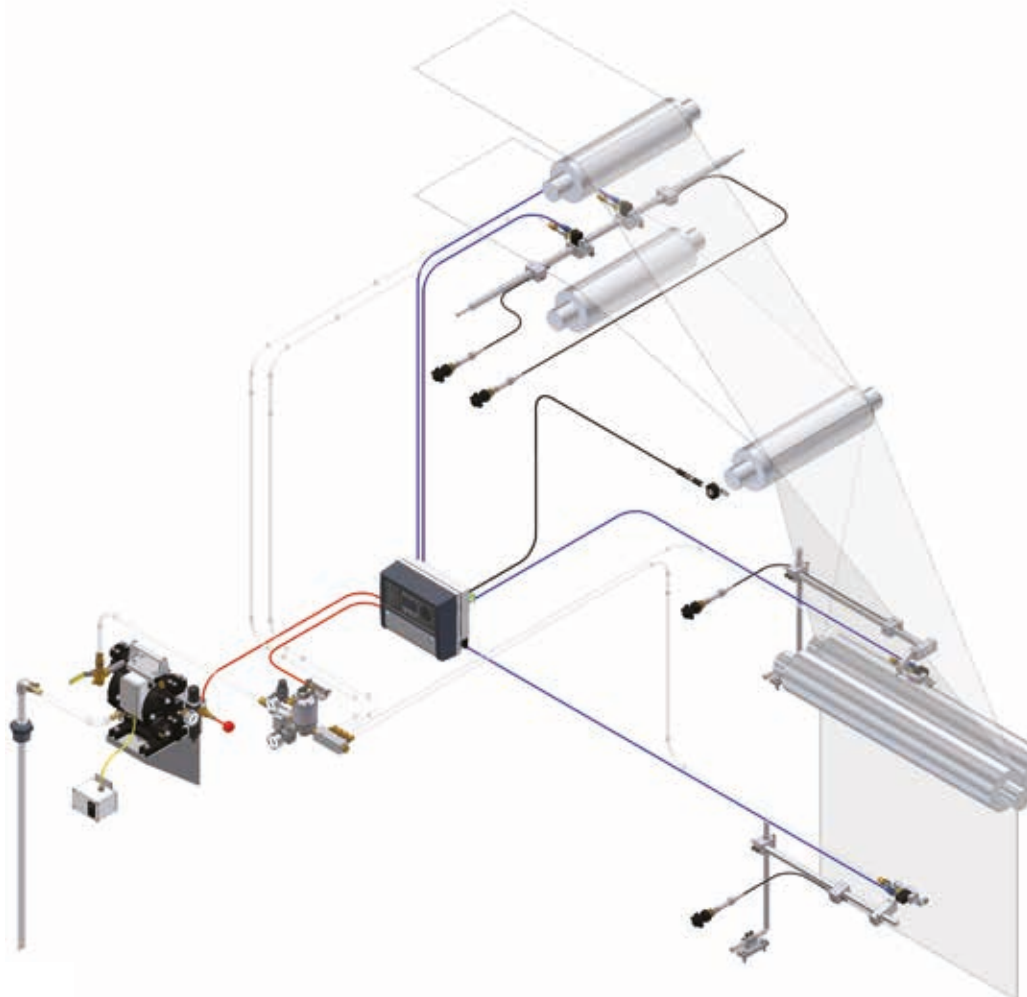
WEB PRESS APPLICATIONS

RoBond™

Valco Melton's Robond™ System is designed to apply glue and fold-softening fluid on high speed web presses. Applications may be controlled (pattern gluing) or continuous. Dispensing valve bracket packages feature operator accessible adjustment for easy valve positioning on the web. The standard dispensing valve used with the Robond System is the electrically actuated series 400. The 400 Series Valve can be configured as an in-line or 90-degree application to deliver accurate and repeatable glue applications at top speeds. The valve's ceramic seat guarantees extended service life. Newly developed contact nozzles for the RoBond™ System reduce web friction, clogging and prevent build-up of foreign matter while gluing. The fine glue lines applied by RoBond nozzles have well-defined edges that minimize squeeze-out and reduce material consumption over conventional needle nozzles. The system can be tailored to deliver adhesive and fold-softening fluid with the help of an external changeover system.

RoBondPRO®

The entire RoBondPro® System can be operated from the centrally located touchscreen with an intuitive graphical interface. The station control boxes, located near the application valves, offer a second, more convenient position for certain operator functions including regulating the softening or glue amount and valve positioning. A water pressure regulator matches the fold softening pressure to the press speed as well as increasing pressure for water flushing. The dosing pump injects a measured amount of softening concentrate into the water line to produce an appropriately mixed fold softening mixture.



Cold Glue Products

Valco Melton's 300-Series Electric Valves offer unprecedented performance in a 15mm wide package. An adjustable stroke version is available to enhance dotting and fine-line gluing performance. The valve is fully sealed with an 18-in. (1/2m) cable and can be completely immersed in water for cleaning. The only parts involved for disassembly are the spring, plunger, and seat. Life cycles exceeding 1-billion are made possible with a lightweight plunger featuring a carbide ball seating on a ceramic nozzle tip. The 300-series valve is ideally suited for applications in the envelope, mailer, and folding carton industries, as well as other high speed graphics and paper converting usages. This valves 'stack-ability' makes it ideal for cross-web applications.

300 Series Valve



The 524EZ Series Valves are Valco Melton's most accurate, high speed, state-of-the-art, solenoid operated cold glue valves. They are manufactured with a corrosion resistant ceramic ball seat configuration with no dynamic seals for extended service life. The 524EZR version offers an adjustable stroke for precision pattern volume control. Additional options include an extended nozzle body and right-angle nozzle adapters that allow gluing in space restricted machine areas. Valco Melton offers a host of valve mounting bracket options (including glue pattern inspection-ready), readily installed on nearly any type of paper folder or in-line gluer. The 524EZ series are capable of spot gluing or fine-line gluing at high machine speeds and can be used with adhesive viscosities up to 4500 mPas.

500 Series Valves



Our DD-1 diaphragm pump represents an innovative breakthrough in pump design. The electronic reversing control is extremely reliable and unaffected by normal wear characteristics commonly seen with mechanical devices. This pump is automatically reversible through low-voltage, solid-state electronics. The DD-1 may be cycled very slow or operated at very low air pressure without stalling. Modular for fast and simple in-line service, no lubrication is required.

Double Diaphragm DD-1 Pump



Valco Melton's EPP-6 Piston Pump is automatically reversible with low-voltage, solid-state electronics. The EPP-6 is extremely reliable with an electronic reversing control not affected by typical wear characteristics of mechanical devices. Because of its design, the pump cannot stall. When used with intermittent output applications, the pump will stop and then immediately restart as the system requires.

EPP-6 Electronic Piston Pump



Valco Melton's stainless steel pressure tank assembles for adhesive and other liquids comes complete with in-line filter, air regulator and gauge, quick disconnects for air and glue lines, stainless steel feed pipe and pop safety valve. Tank size is determined by consumption for a particular application.

Stainless Steel Tank

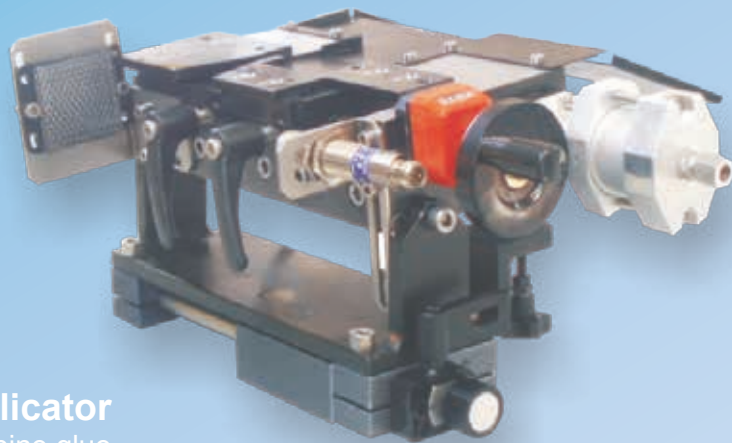


BOOKBINDING APPLICATIONS

“...Custom brackets provide easy adjustment and alignment of applicator for side seam gluing”

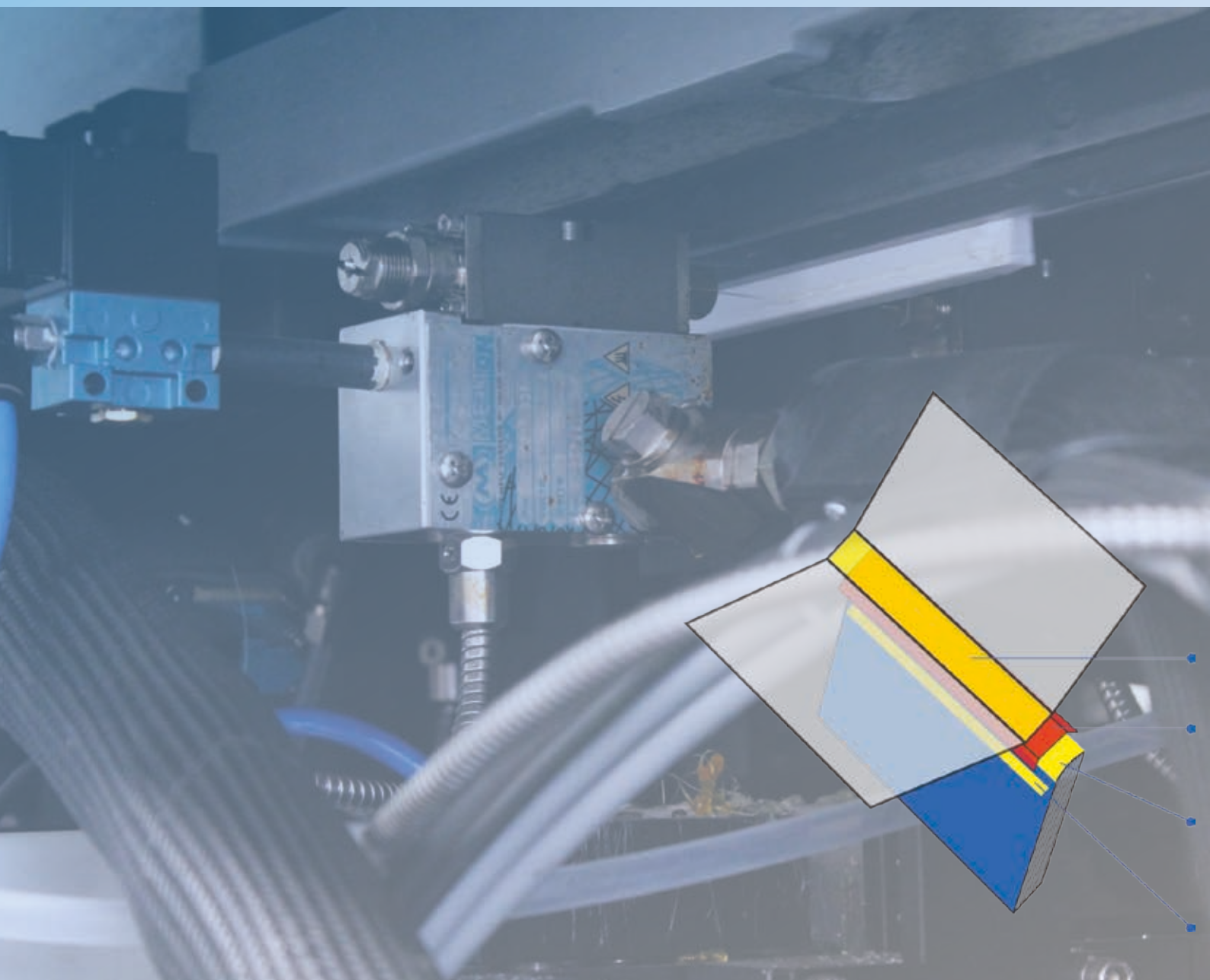
Spine | PUR Gluing

Valco Melton's spine glue applicator and carriage is designed to fit into most perfect binders. The application width is quick and easy to adjust with the touch wheel. Our Sdrum Series Unloader is equipped with a special platen and PUR purge kit for easy and thorough clean up. Optional PUR side seam systems are available.



MBB Series Applicator

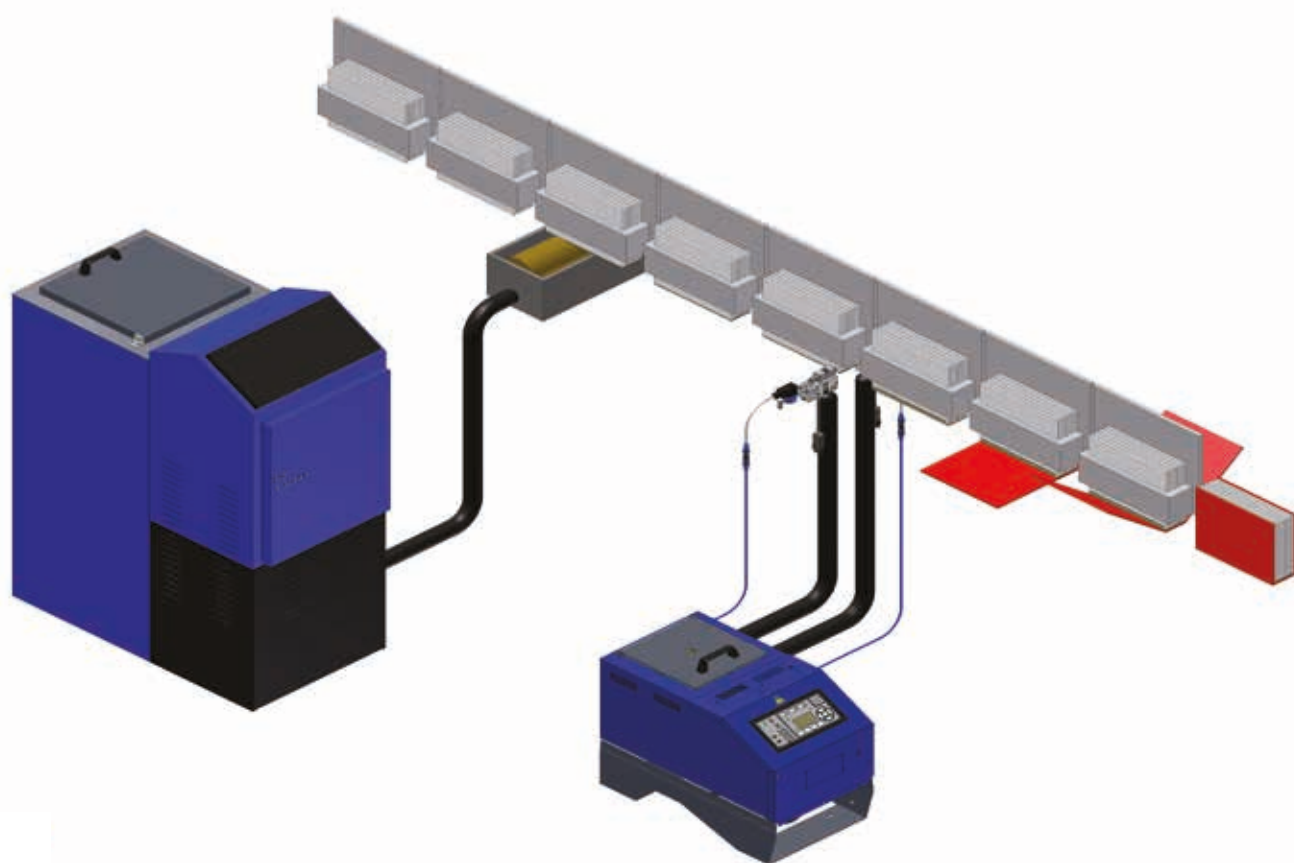
Variable width spine glue head with carriage



Pot Filling

Valco Melton's pot fill systems can be fitted onto nearly any glue pot. Melt unit pump size and control can be configured as required for specific application needs. Melt grids are designed for maximum melt rate for any adhesive in any form. Precision temperature control ensures stable temperature and promotes adhesive pot life.

System Layout | Side-Seam Gluing and Pot Filling



Pre-melting of PUR, EVA,
and PSA

Capping Applications

Spine Gluing

Side-Seam Gluing

Side-Seam Gluing

Valco Melton's side seam dispensing systems are designed to fit all perfect binders. The MX and ME Series Applicators can dispense any type of hot melt adhesive accurately without stringing. The D Series Melter can be configured with a built-in glue pattern control to eliminate the need for an external box mounted on the parent machine. The auto glue function provides gluing for variable size books without a requirement for pattern adjustment. An optional Autofeed System keeps the melter full of adhesive without operator intervention. For easy, tool-free adjustment, a simple bracket package can be included.

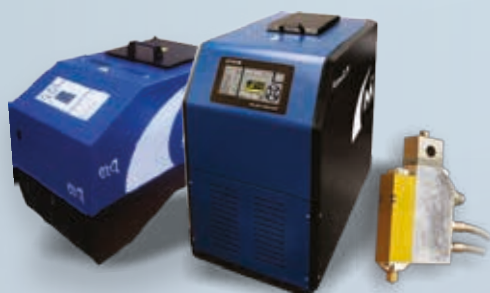
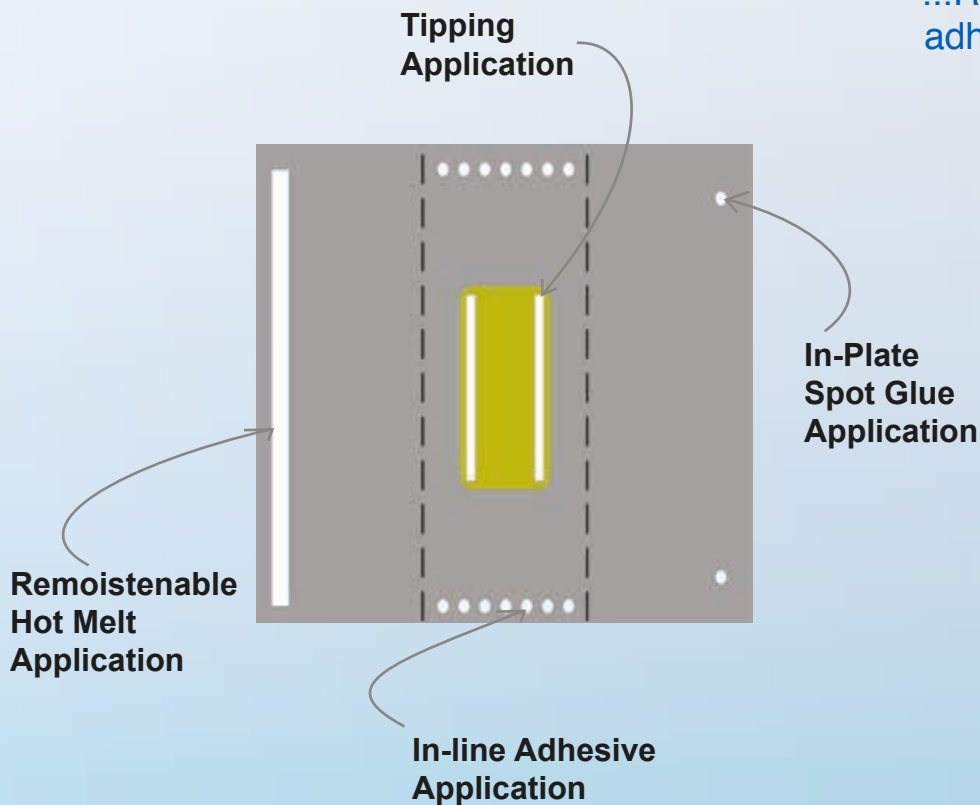
SPECIALTY IN-LINE GLUING APPLICATIONS

Inserting | Product Attaching

Valco Melton's MX series gun can run dots and lines with nearly any adhesive at speeds up to 500f/m and stitch pressure sensitive adhesive. The MCP-4 control allows the operator to control the specific size of the dots and stitch pattern.

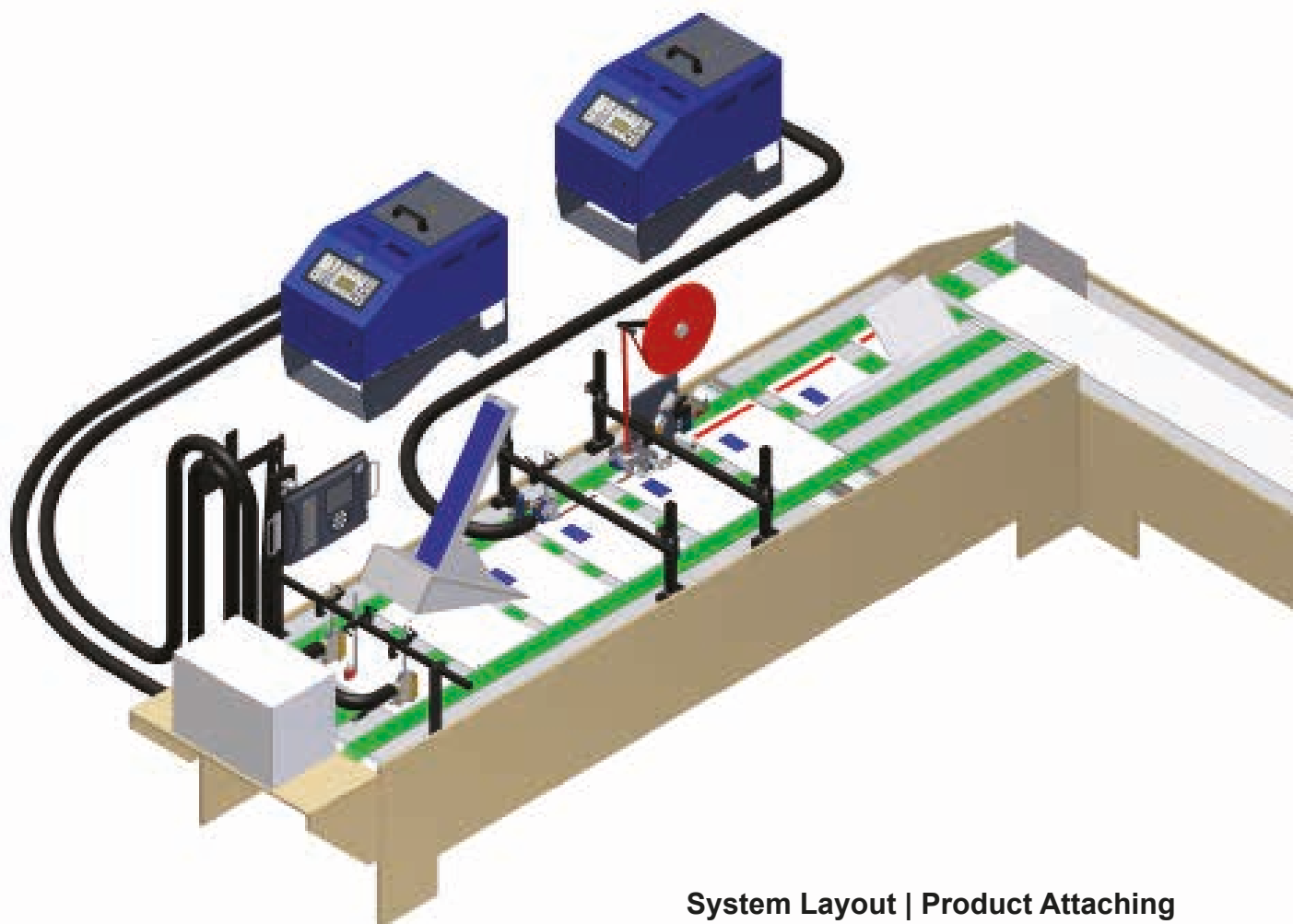
Our D Series System Controller electronically matches the melt unit pump speed to the speed of the folder to guarantee consistent adhesive pattern volume and placement.

“...Run dots and lines with adhesive at speeds up to 500 f/m.”



NEW! CHOICE™ Hot Melt System with EcoStitch™ Applicator

The Valco Melton All Electric Adhesive Dispensing System brings instant ROI with payback in as little as 5 months for most any adhesive application by utilizing state-of-the-art EcoStitch™ technology. The NEW EcoStitch™ applicator lets you select from a limitless number of bead size and pattern length options for maximum control. Each system features a gear driven adhesive melter, electric glue valves, and fewer moving parts. Ask your representative for more information about this packages's instant material and cost saving benefits.



**System Layout | Product Attaching
& Deferred Sealing**

Deferred-Use Sealing

SealTak® produces deferred-use packaging products using pressure-sensitive adhesive and a release liner. Applied during the converting process on the converting machine, the molten, hot melt adhesive is deposited evenly onto the substrate surface, producing a far superior bond than adhesive transfer tape systems. By eliminating the need for excessive tape roll changes, SealTak significantly increases production and reduces downtime. Material costs are reduced up to 40 percent or more. Simply stated, SealTak costs less, performs better, and is much more efficient than double-sided pressure-sensitive tapes.

“Material costs are reduced
from 40% or more...”

Hot Melt Applicators

MX Series

Valco Melton's MX electric hot melt gun is regarded as the "gold standard" in hot melt applicator technology. The MX can reach a continuous duty rate of up to 3000 cycles per minute and has a life span of approximately 300 million cycles. Each MX valve is designed specifically to place dots and small amounts of adhesive at a high rate of speed and without stringing or dripping, including Pressure Sensitive and Fugitive Adhesives. The Valve Driver for the MX has a feature that allows you to turn any normal pattern into a stitch pattern, as well as control the size of the stitch dots. This package can reduce your overall adhesive usage by considerable amounts. The MX additionally features a built-in filter assembly to ensure that nozzle plugging does not inhibit your operational uptime.

ME Series

The ME Series Applicators utilize a flexible, versatile design, easily adaptable with other industry standard equipment. With 100% compatibility, this applicator's universal fit flexibly works into your existing system. The ME Series runs at fast speeds with clean cut-off necessary with tipping applications. Air open/air closed valves perform quick shut-down, important for side-seam applications.

MK Series

The MK Series Guns require minimal space for an easy installation. The simple, modular design and optimal configuration provides simple adaptation to customers needs. 15mm CZ mini-modules supply a perfect uniform cut-off in the tightest places. The narrow and modular profile saves space and allows for fast change-outs.

Adhesive Melters

S Series

Valco Melton's S Series bulk delivery hot melt tanks are designed for use as Pot Fill Units. Each melter features a large holding reservoir, high wattage melting grid and large collector that can melt and pump anywhere from 100-400lbs of molten hot melt material in a given hour. The S Series features a "built in" pot fill control and software that allows for easy configuration and level setting. These melters are capable of melting any type or form of hot melt adhesive.

D Series

Valco Melton's D Series hot melt tanks are designed for use in the Print Finishing and Graphics Industry. These melters feature a 1/4hp gear motor and positive displacement spur gear pumps. Each melter can be configured to include up to 6 hoses and guns, integrated Auto Feed System for the adhesive filling, integrated Glue Pattern Control for up to 6 guns, pneumatic pressure relief and flow control, as well as variable or fixed speed motor control. The D Series features an LCD operator panel and icon-based software for easy setup and programming of PLC related inputs and outputs. Each of these melt tanks have been designed to melt and accept any type or form of hot melt adhesive.

SDrum Series

Valco Melton makes a number of drum melters specifically for unique PUR and EVA adhesives. Utilize a true melt-on-demand supply of adhesive where only the adhesive in contact with the platen is molten. The Sdrum Series Units are designed for precision dispensing across a wide variety of heated adhesive and sealant materials. Configurable with a number of pumping and power configurations, the Sdrum Unit is a versatile tool for ongoing operation in a range of manufacturing environments and the ideal solution for processing large quantities of EVA, PSA and PUR hot melt adhesives. As a completely sealed system, this is the best choice for PUR and other reactive materials. Utilize different melting plates based on your capacity and conductive property needs.

Pattern Controllers

MCP-8 Micro Processor Based Control

Valco Melton's new MCP-8 Series Control features a full color display screen and easy to use graphical user interface. The MCP-8 offers 8 channels of gluing with up to 10 individual glue patterns per channel, ideal for complex gluing jobs. Additional features include the integrated 8-channel jam preventer, multiple communication protocols for different machine types, USB port for data backup, internal job storage (up to 16 GB) and remote access capabilities.

MCP-4 Series Pattern Controller

The MCP-4 Series is a low cost, full-featured adhesive system pattern control with 4-channel outputs-- each capable of multiple glue patterns, 4 product sensor inputs and optional integral flow control. Program changes and adjustments may be made on-the-fly with results immediately on the product. Plug and run connectors in a compact design offer a fast and easy installation. The optional EPC flow control is not required for most paper folder applications.



**EcoStitch™
Series**



ME Series



MK Series



S Series



D Series



**SDrum
Series**



**MCP-8
Series**



**MCP-4
Series**

Choose from the Industry's Largest Selection of Compatible Spare Parts...

A large selection of accessories and market standard compatible parts are available to add flexibility to your line and enhance production efficiency.

NEW Dual RTD Hot Melt Hoses

Manual Guns

Automatic Valves

Mounting Brackets

Solid State Pattern Control Systems

Glue Modules

Modular Guns

Nozzles

Pumps

Filters | Inline Filters Heaters

Thermostats

Fittings



World Headquarters

USA: Cincinnati, OH, USA | Tel: +1.513.874.6550
 Fax: +1.513.874.3612 | inquiry@valcomelton.com

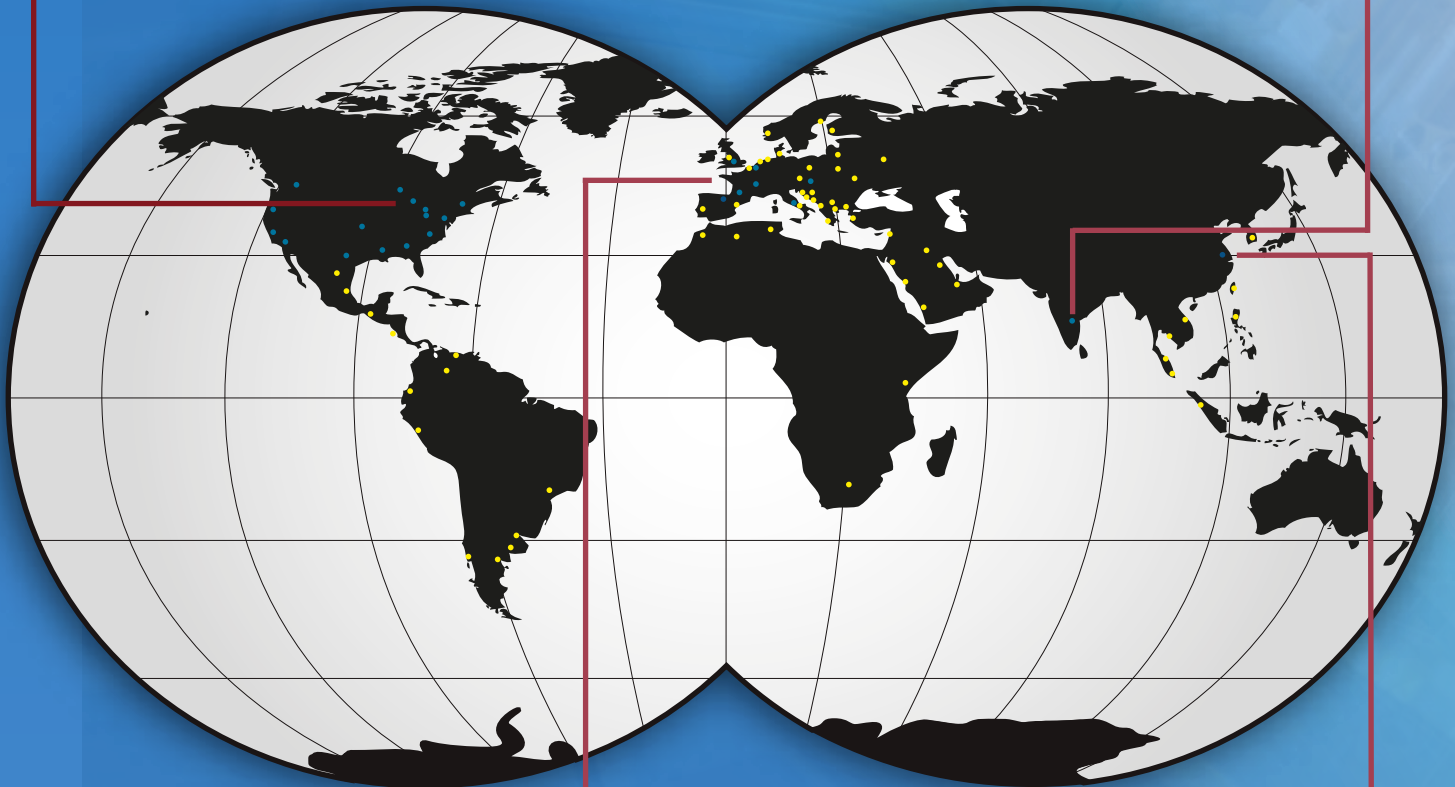
America Manufacturing, Sales & Distribution Centers

Canada: Vancouver, B.C, Canada | Tel: +1.604.998.4012
 inquiry@valcomelton.com

West Coast, USA: South El Monte, CA, USA
 Tel: +1.626.401.0480 | inquiry@valcomelton.com

India Sales & Distribution Centers

India: Bangalore, India | Tel: +91.80.28602821
 inquiry@valcomelton.com



- Direct Sales Centers
- Distributors Worldwide

Europe Manufacturing, Sales & Distribution Centers

Spain: Orcoyen, Navarra, Spain | Tel: +34.948.321.580
 Fax: +34.948.326.584 | inquiry@valcomelton.com

France: Valence, France | Tel: +33 (0) 4.75.78.13.73
 inquiry@valcomelton.com

Italy: Milan, Italy | Tel: +39.0372.23150
 inquiry@valcomelton.com

Benelux: The Netherlands | Tel: +31.252.673673
 inquiry@valcomelton.com

Hungary: Budapest, Hungary | Tel: +36.1.214.4705
 inquiry@valcomelton.com

UK: Telford, England | Tel: +44.1952.677911
 inquiry@valcomelton.com

Germany: Düsseldorf, Germany | Tel: +49.211.984.798-0
 inquiry@valcomelton.com

China Sales & Distribution Centers

China: Xiamen, Fujian, China | Tel: +86.592.591.7854
 Fax: +86.592.591.7834 | inquiry@valcomelton.com

To find the office
 nearest you, visit:
<http://delivr.com/2q54d>
 or snap a picture of
 this QR Code



valcomelton.com