

The 300 series glue valves are solenoid-operated for precise glue patterns at high machine speeds. The compact size permits installation into space-restricted areas and stackability on 15mm centers. The valves feature a purge/test switch and a carbide-tipped plunger assembly for long life.

**Applications:** Folding cartons, envelopes, mailers, and other requirements in the paper converting and graphics industries.

**Technical Data**

Coil ..... 16.5 ohms  
 Valve Width ..... 15mm (.590 in.)  
 Fluid pressure ..... 12 bar (300 psi)  
 Viscosity ..... 300–2500 cps  
 Life cycle ..... 1.5 Billion Cycles

Nozzle seat and plunger may need to be replaced sooner depending on application and maintenance.

Cycle rate ..... 21000 cycles/min  
 Cycles per minute depend on glue viscosity and pressure.  
 Performance ..... .25 (6.35mm) pattern with a .30 (7.62mm) skip @ 1000 fpm. Capable of dot patterns.

**Recommended Controls**

- VCX • MCS/PCM2 • MCP-25 • MCP-4

**300 EZT Assemblies w/ Standard Restriction Nozzles, Viton Seals**

- 707xx431 300EZT Valve, .25mm
- 707xx432 300EZT Valve, .30mm
- 707xx433 300EZT Valve, .35mm
- 707xx434 300EZT Valve, .40mm
- 707xx435 300EZT Valve, .50mm
- 707xx436 300EZT Valve, .60mm
- 707xx437 300EZT Valve, .70mm
- 707xx438 300EZT Valve, .80mm

**300 EZT Assemblies w/ Low Restriction Nozzles, Viton Seals**

- 707xx401 300EZT Valve, .25mm
- 707xx402 300EZT Valve, .30mm
- 707xx403 300EZT Valve, .35mm
- 707xx404 300EZT Valve, .40mm
- 707xx405 300EZT Valve, .50mm
- 707xx406 300EZT Valve, .60mm
- 707xx407 300EZT Valve, .70mm
- 707xx408 300EZT Valve, .80mm

**300ECT Valve Assembly Contact, Internal Seat**

- 707xx399 300 ECT Valve, Contact

**300 EZT Assemblies w/ Standard Restriction Nozzles, EP Seals**

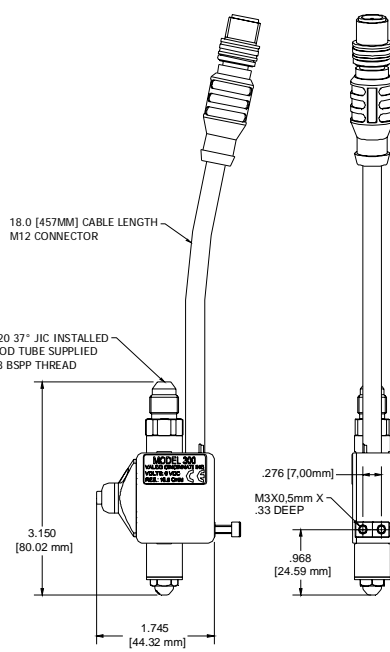
- 707xx721 300EZT Valve, .25mm
- 707xx722 300EZT Valve, .30mm
- 707xx723 300EZT Valve, .35mm
- 707xx724 300EZT Valve, .40mm
- 707xx725 300EZT Valve, .50mm
- 707xx726 300EZT Valve, .60mm
- 707xx727 300EZT Valve, .70mm
- 707xx728 300EZT Valve, .80mm

**300 EZT Assemblies w/ Low Restriction Nozzles, EP Seals**

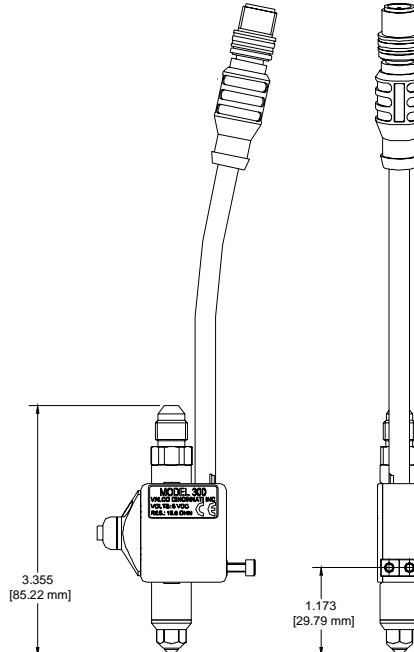
- 707xx711 300EZT Valve, .25mm
- 707xx712 300EZT Valve, .30mm
- 707xx713 300EZT Valve, .35mm
- 707xx714 300EZT Valve, .40mm
- 707xx715 300EZT Valve, .50mm
- 707xx716 300EZT Valve, .60mm
- 707xx717 300EZT Valve, .70mm
- 707xx718 300EZT Valve, .80mm

**300ECT Valve Assembly Contact, Internal Seat**

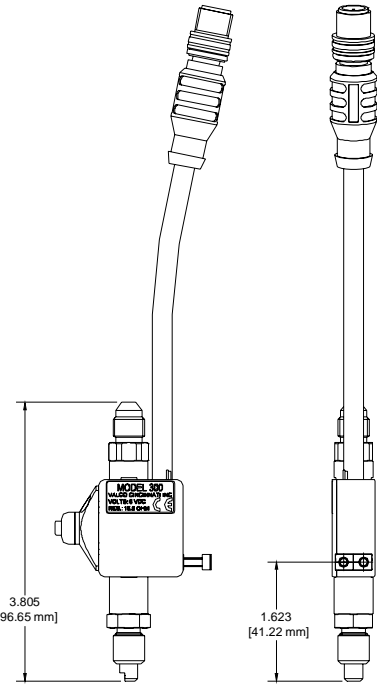
- 707xx700 300 ECT Valve, Contact



300 EZT Valve



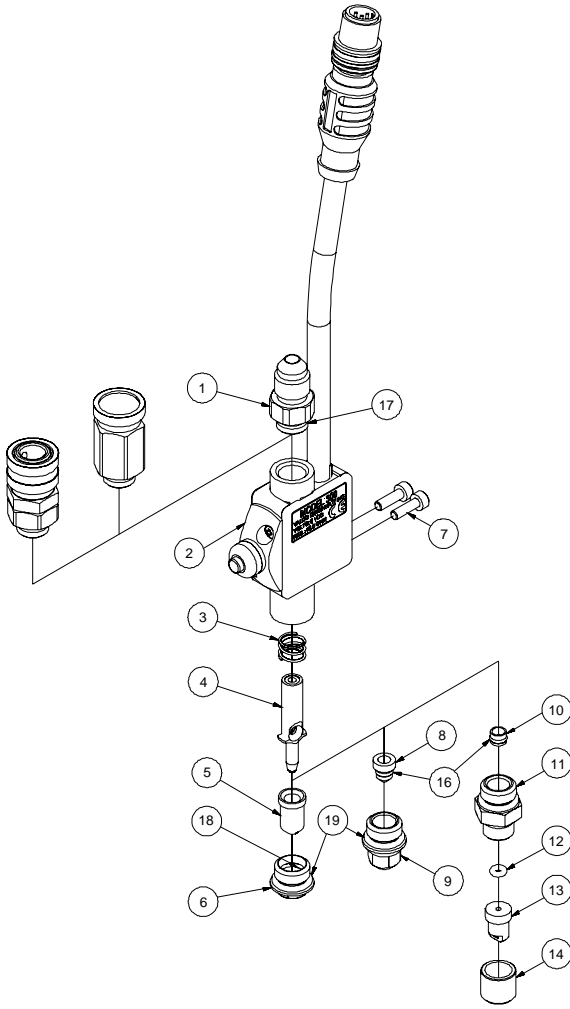
300 EZT Valve With Standard Restriction Nozzle



300 ECT Valve Assembly Contact, Internal Seat



**300 EZT/ECT Series Glue Valve**



## Replacement Parts

		Viton Assy	EP Assy.
1	Fitting 7/16-20 37 Degree JIC x 1/8 BSPP	707xx345	707xx618
	O-ring		746xx119
2	Fitting 8mm OD Tube x 1/8 BSPP (included) (Includes O-ring #17)	707xx102	707xx102
	Female Swivel x 1/8 BSPP (sold separately)	799xx658	707xx607
3	300 Valve Sub Assembly	707xx393	707xx393
3	Compression Spring SS	707xx112	707xx112
4	Plunger Assembly, EZ Flow	707xx398	707xx398
5	Low Restriction Nozzle .25mm	707xx241	707xx241
	Low Restriction Nozzle .30mm	707xx242	707xx242
	Low Restriction Nozzle .35mm	707xx243	707xx243
	Low Restriction Nozzle .40mm	707xx244	707xx244
	Low Restriction Nozzle .50mm	707xx245	707xx245
	Low Restriction Nozzle .60mm	707xx246	707xx246
	Low Restriction Nozzle .70mm	707xx247	707xx247
	Low Restriction Nozzle .80mm	707xx248	707xx248
6	Nozzle Body Assembly Low Restriction (Includes O-ring #18 and #19)	707xx364	707xx606
	O-ring	745xx184	746xx169
7	O-ring	746xx141	746xx168
	SHCS Stainless Steel	798xx051	798xx051
8	Standard Restriction Nozzle .25mm	707xx110	707xx110
	Standard Restriction Nozzle .30mm	707xx073	707xx073
	Standard Restriction Nozzle .35mm	707xx074	707xx074
	Standard Restriction Nozzle .40mm	707xx075	707xx075
	Standard Restriction Nozzle .50mm	707xx076	707xx076
	Standard Restriction Nozzle .60mm	707xx077	707xx077
	Standard Restriction Nozzle .70mm	707xx078	707xx078
	Standard Restriction Nozzle .80mm	707xx079	707xx079
9	Nozzle Body Standard Restriction	707xx109	707xx617
	O-ring	745xx184	746xx169
10	Seat Insert Assembly 1mm Orifice	707xx085	707xx085
11	Nozzle Body, Retaining Nut (Includes Items #10, #12 and #14)	707xx107	707xx616
12	O-ring	746xx087	746xx087
13	Contact Nozzle .30mm	707xx089	707xx089
	Contact Nozzle .40mm	707xx090	707xx090
	Contact Nozzle .50mm	707xx091	707xx091
	Contact Nozzle .60mm	707xx092	707xx092
	Contact Nozzle 1.0mm, 2.5mm Slot	707xx097	707xx097
	Retaining Nut	783xx171	783xx171
14	O-ring	745xx527	745xx527
16	O-ring	745xx339	746xx119
17	O-ring	746xx141	746xx168
18	O-ring	745xx184	746xx169
19	O-ring	745xx184	746xx169

Valve supplied with Viton seals

	Viton	EP
Maintenance Kit 300E2T		
Maintenance kit includes lithium grease, flushing adapter, nozzle cleaning drills, cleaning brush, and valve spring.	707xx249	707xx633
Maintenance Kit 300ECT Includes items listed above and:	707xx250	707xx634
Seat Extraction Tool	781xx305	781xx305
Seat Insertion Tool	781xx306	781xx306

Design specifications subject to change without notice. ©2020 Valco Cincinnati Inc. All Rights Reserved. DS082 300 E2T/ECT Series Glue Valve 1/2020

Valco Cincinnati Incorporated  
411 Circle Freeway Drive  
Cincinnati, Ohio 45246, USA  
TEL: (1) 513-874-6550  
FAX: (1) 513-874-3612

Melton S.L.U.  
Pol. Industrial Agustinos  
calle G, n. 34  
31160 Orcoyen, Navarra, Spain  
TEL: (34) 948-321-580  
FAX: (34) 948-326-584

Valco Cincinnati, Ltd.  
Unit 7-8  
Hortonwood 32  
Telford TF1 7YN England  
TEL: (44) 1952-677911  
FAX: (44) 1952-677945

Valco Cincinnati GmbH  
Bonnerstrasse 349  
40589 Dusseldorf-Benrath,  
Germany  
Tel: +49 211 984 798-0  
Fax: +49 211 984 798-20

Valco Melton France  
Technoparc des Hautes Faventines  
32 Rue Jean Bertin  
26000 Valence  
Tel: +33 (0)4 75 78 13 73  
Fax: +33 (0)4 75 55 74 20

The 300 series glue valves are solenoid-operated for precise glue patterns at high machine speeds. The compact size permits installation into space-restricted areas and stackability on 15mm centers. The valves feature a purge/test switch and a carbide-tipped plunger assembly for long life. The EZR/ECR versions offer an adjustable stroke for more flexible pattern control.

**Applications:** Folding cartons, envelopes, mailers, and other requirements in the paper converting and graphics industries.

**Technical Data**

Coil ..... 16.5 ohms  
 Valve Width ..... 15mm (.590 in.)  
 Fluid pressure ..... 12 bar (300 psi)  
 Viscosity ..... 300–2500 cps  
 Life cycle ..... 1.5 Billion Cycles  
 Nozzle seat and plunger may need to be replaced sooner depending on application and maintenance.  
 Cycle rate ..... 21000 cycles/min  
 Cycles per minute depend on glue viscosity and pressure.  
 Performance ..... .25 (6.35mm) pattern with a .30 (7.62mm) skip @1000 fpm. Capable of dot patterns.

**Recommended Controls**

• VCX • MCS/PCM2 • MCP-25 • MCP-4

**300 EZR Assemblies w/ Standard Restriction Nozzles, Viton Seals**

- 707xx421 300EZR Valve, .25mm
- 707xx422 300EZR Valve, .30mm
- 707xx423 300EZR Valve, .35mm
- 707xx424 300EZR Valve, .40mm
- 707xx425 300EZR Valve, .50mm
- 707xx426 300EZR Valve, .60mm
- 707xx427 300EZR Valve, .70mm
- 707xx428 300EZR Valve, .80mm

**300 EZR Assemblies w/ Standard Restriction Nozzles, EP Seals**

- 707xx441 300EZR Valve, .25mm
- 707xx442 300EZR Valve, .30mm
- 707xx443 300EZR Valve, .35mm
- 707xx444 300EZR Valve, .40mm
- 707xx445 300EZR Valve, .50mm
- 707xx446 300EZR Valve, .60mm
- 707xx447 300EZR Valve, .70mm
- 707xx448 300EZR Valve, .80mm

**300 EZR Assemblies w/ Low Restriction Nozzles, Viton Seals**

- 707xx411 300EZR Valve, .25mm
- 707xx412 300EZR Valve, .30mm
- 707xx413 300EZR Valve, .35mm
- 707xx414 300EZR Valve, .40mm
- 707xx415 300EZR Valve, .50mm
- 707xx416 300EZR Valve, .60mm
- 707xx417 300EZR Valve, .70mm
- 707xx418 300EZR Valve, .80mm

**300 EZR Assemblies w/ Low Restriction Nozzles, EP Seals**

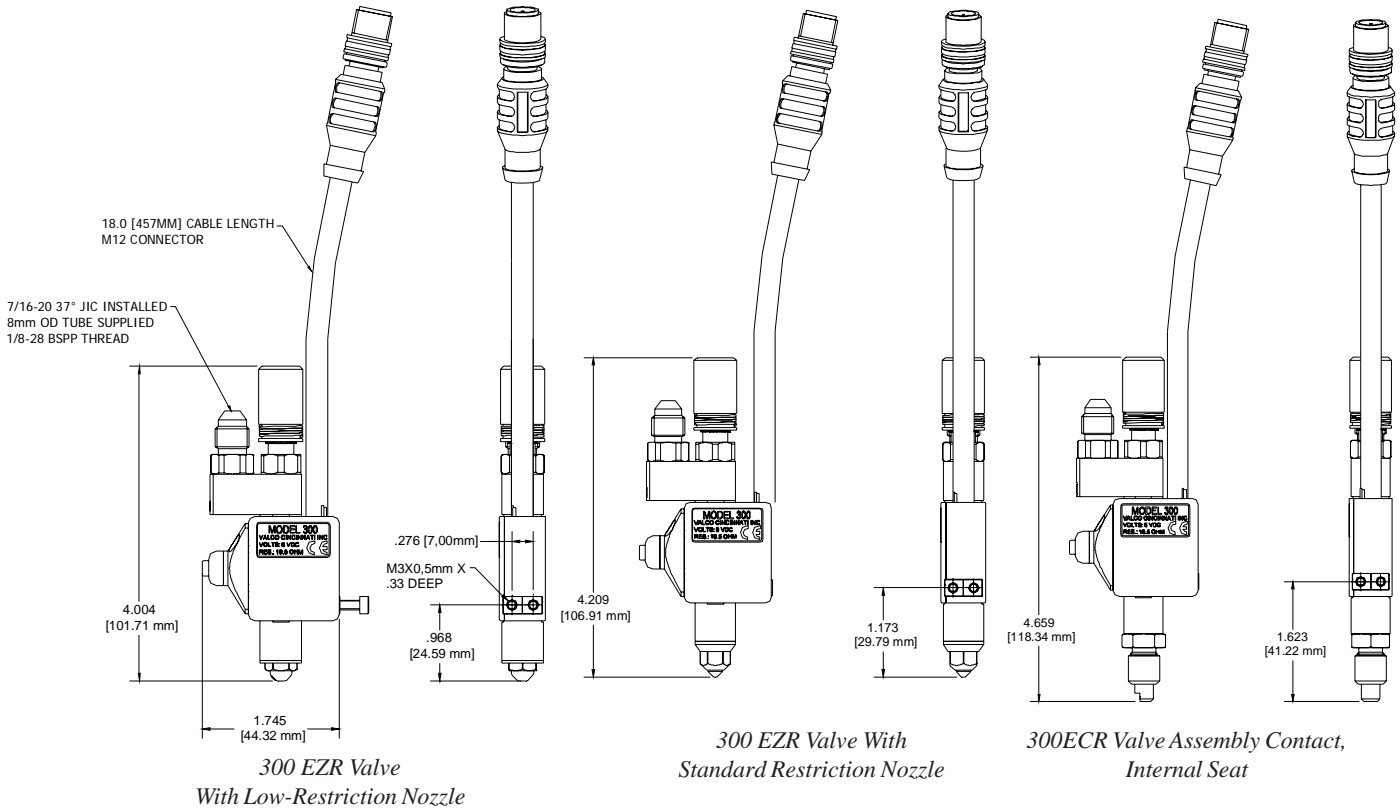
- 707xx731 300EZR Valve, .25mm
- 707xx732 300EZR Valve, .30mm
- 707xx733 300EZR Valve, .35mm
- 707xx734 300EZR Valve, .40mm
- 707xx735 300EZR Valve, .50mm
- 707xx736 300EZR Valve, .60mm
- 707xx737 300EZR Valve, .70mm
- 707xx738 300EZR Valve, .80mm

**300ECR Valve Assembly Contact, Internal Seat, Viton Seals**

- 707xx400 300 ECR Valve, Contact

**300ECR Valve Assembly Contact, Internal Seat, EP Seals**

- 707xx701 300 ECR Valve, Contact

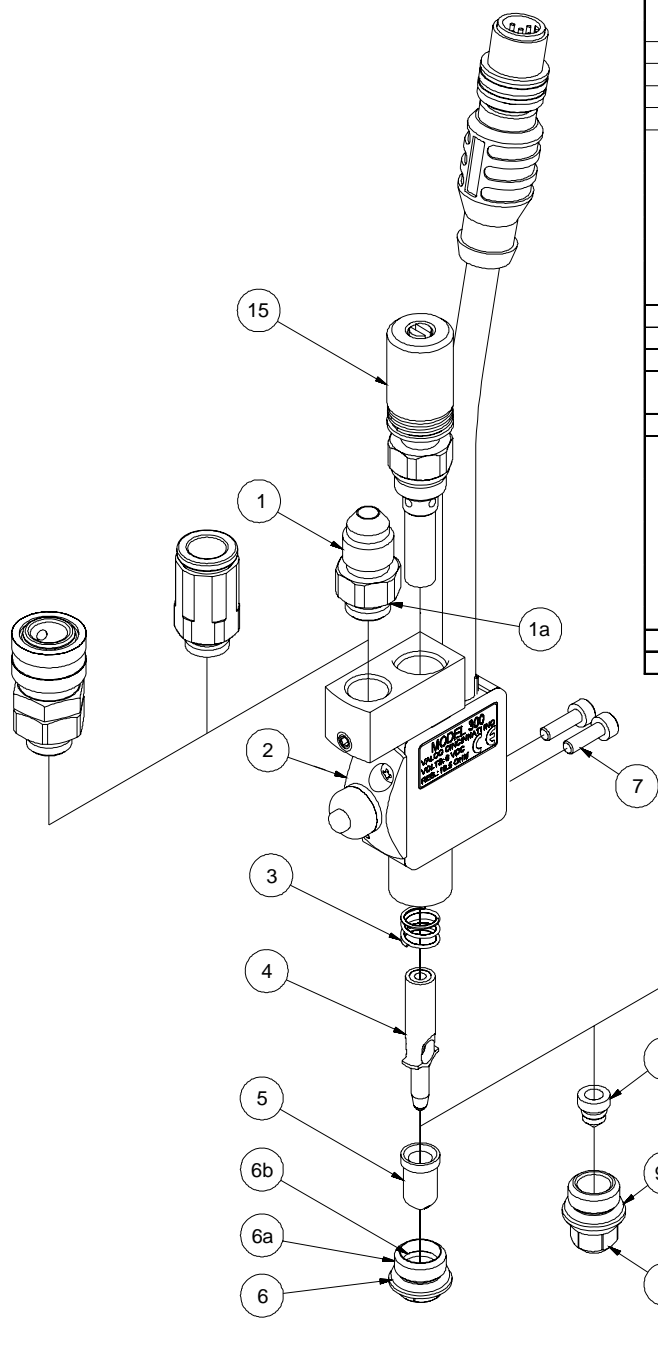


**300 EZR/ECR Series Glue Valve**

### Replacement Parts

		Viton Assy	EP Assy
1	Fitting 7/16-20 37 Degree JIC x 1/8 BSPP	707xx345	707xx618
	Fitting 8mm OD Tube x 1/8 BSPP (Included) (Includes O-ring #1a)	707xx102	707xx102
	Female Swivel x 1/8 BSPP (Sold separately)	799xx658	707xx607
1a	O-ring	745xx339	746xx119
2	300 Valve Sub Assembly	707xx394	707xx394
3	Compression Spring SS	707xx112	707xx112
4	Plunger Assembly, EZ Flow	707xx398	707xx398
5	Low Restriction Nozzle .25mm	707xx241	707xx241
	Low Restriction Nozzle .30mm	707xx242	707xx242
	Low Restriction Nozzle .35mm	707xx243	707xx243
	Low Restriction Nozzle .40mm	707xx244	707xx244
	Low Restriction Nozzle .50mm	707xx245	707xx245
	Low Restriction Nozzle .60mm	707xx246	707xx246
	Low Restriction Nozzle .70mm	707xx247	707xx247
	Low Restriction Nozzle .80mm	707xx248	707xx248
6	Nozzle Body Assembly Low Restriction	707xx364	707xx606
6a	O-ring - large	745xx184	746xx169
6b	O-ring - small	746xx141	746xx168
7	SHCS Stainless Steel	798xx051	798xx051
8	Standard Restriction Nozzle .25mm	707xx110	707xx110
	Standard Restriction Nozzle .30mm	707xx073	707xx073
	Standard Restriction Nozzle .35mm	707xx074	707xx074
	Standard Restriction Nozzle .40mm	707xx075	707xx075
	Standard Restriction Nozzle .50mm	707xx076	707xx076
	Standard Restriction Nozzle .60mm	707xx077	707xx077
	Standard Restriction Nozzle .70mm	707xx078	707xx078
	Standard Restriction Nozzle .80mm	707xx079	707xx079
		Nozzle Body Standard Restriction	707xx109
9			
9a	O-ring	745xx184	746xx169
10	Seat Insert Assembly 1mm Orifice	707xx085	707xx085
11	Nozzle Body, Retaining Nut (Includes Items #10, #12 and #14)	707xx107	707xx616
12	O-ring	746xx087	746xx087
13	Contact Nozzle .30mm	707xx089	707xx089
	Contact Nozzle .40mm	707xx090	707xx090
	Contact Nozzle .50mm	707xx091	707xx091
	Contact Nozzle .60mm	707xx092	707xx092
	Contact Nozzle 1.0mm, 2.5mm Slot	707xx097	707xx097
14	Retaining Nut	783xx171	783xx171
15	Adjustable Back Stop	707xx289	707xx605

Valve supplied with Viton seals



	Viton Assy	EP Assy
Maintenance Kit 300EZT Maintenance kit includes lithium grease, flushing adapter, nozzle cleaning drills, cleaning brush, and valve spring.	707xx249	707xx633
Maintenance Kit 300ECT Includes items listed above and:	707xx250	707xx634
Seat Extraction Tool	781xx305	781xx305
Seat Insertion Tool	781xx306	781xx306

DS083.DWG

Design specifications subject to change without notice. DS083 © Valco Cincinnati Inc. All Rights Reserved. 300 EZR/ECR Series Glue Valve 6/2014

**Valco Cincinnati Incorporated**  
411 Circle Freeway Drive  
Cincinnati, Ohio 45246, USA  
TEL: (1) 513-874-6550  
FAX: (1) 513-874-3612

**Melton S.L.U.**  
Pol. Industrial Agustinos  
calle G, n. 34  
31160 Orcosen, Navarra, Spain  
TEL: (34) 948-321-580  
FAX: (34) 948-326-584

**Valco Cincinnati, Ltd.**  
Unit 7-8  
Hortonwood 32  
Telford TF1 7YN England  
TEL: (44) 1952-677911  
FAX: (44) 1952-677945

**Valco Cincinnati GmbH**  
Storkower Strasse 6  
D-15749 Gallun, Germany  
TEL: (49) 33764 8700  
FAX: (49) 33764 87070